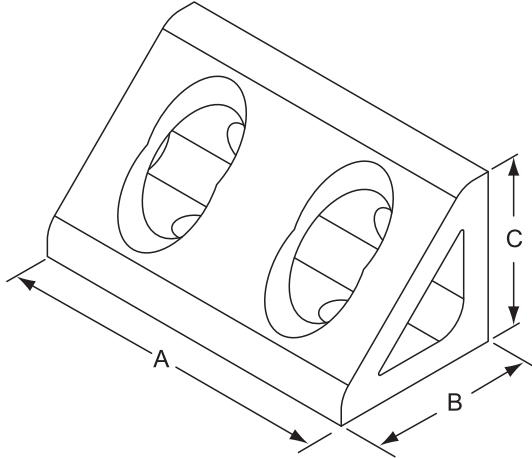


# Fractional

## 4 Hole Inside Gusset Corner Bracket



10 Series Recommended Mounting Hardware:

Part No.	Qty	Description
3393	4	1/4-20 x 1/2" BHSCS & Econ T-Nut

For more 10 Series mounting hardware options, see Table M on page 268.

15 Series Recommended Mounting Hardware:

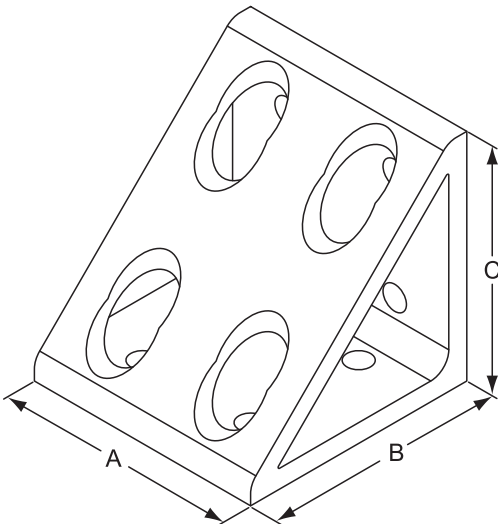
Part No.	Qty	Description
3320	4	5/16-18 x 11/16" FBHSCS & Econ T-Nut

For more 15 Series mounting hardware options, see Table N on page 268.

= 10 Series Compatible Part

Part No.	A	B	C	Lbs.
4134	1.875	1.000	1.000	.081
4334	2.810	1.500	1.500	.246

## 8 Hole Inside Gusset Corner Bracket



10 Series Recommended Mounting Hardware:

Part No.	Qty	Description
3393	8	1/4-20 x 1/2" BHSCS & Econ T-Nut

For more 10 Series mounting hardware options, see Table M on page 268.

15 Series Recommended Mounting Hardware:

Part No.	Qty	Description
3320	8	5/16-18 x 11/16" FBHSCS & Econ T-Nut

For more 15 Series mounting hardware options, see Table N on page 268.

= 10 Series Compatible Part

Part No.	A	B	C	Lbs.
4138	1.875	2.000	2.000	.184
4338	2.810	3.000	3.000	.551