

## 1004 T-Slotted Profile - 10 Series



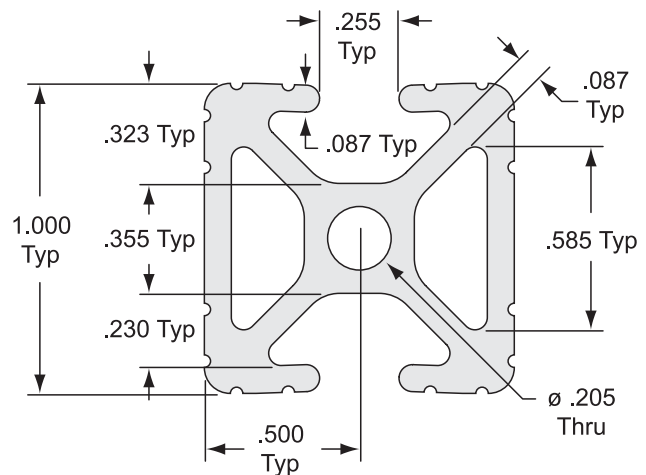
- Compatible with all 10 Series fasteners
- Two opposite closed-side faces
- The 1004 profile allows support structures or large panels to be easily placed into the open T-slots, while maintaining a continuous surface
- Great for projects such as furniture, displays, trade show booths, retail kiosks or anything requiring a finished look
- Compatibility Code\*: 6-10




**VIBRATION\*\*  
PROOF™**

Part No.	1004
Material	6105-T5
Finish	Clear Anodized
Weight Per Foot	.5609 Lbs.

Moment Of Inertia	IX=.0443 <sup>in4</sup> IY=.0541 <sup>in4</sup>
Estimated Area	.4819 Sq. In.



**Note:** Look for the  icon. This icon points out all 10 Series compatible parts and accessories.