

80/20[®] Inc.

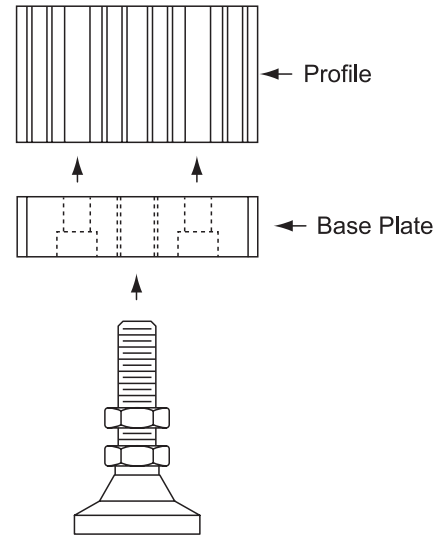
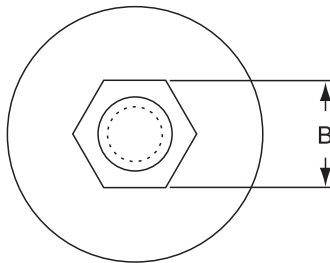
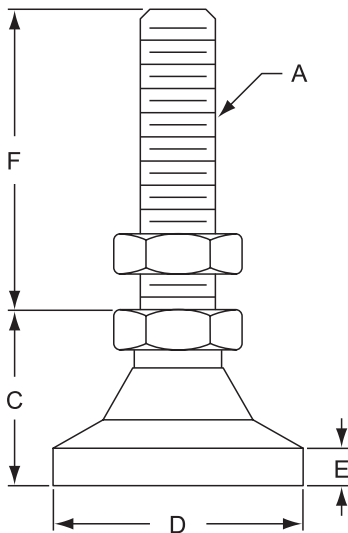
The *Industrial Erector Set*[®]

THE STANDARD



Deluxe Leveling Feet

- 10 and 15 Series compatible
- 1000-7400 lbs. Load capacity range
- Threads directly into tapped profile end; jam nut included
- Pivots 20° to accommodate uneven floors
- Base plates can also be used for mounting feet to T-slotted profiles – see page 480-483
- See page 564 for tapping services



Part No.	Load Capacity	A	B	C	D	E	F	Lbs.
2192	1000 Lbs.	1/4-20	.500	.703	1.000	.156	1.250	.100
2194	2300 Lbs.	5/16-18	.625	.875	1.250	.188	2.000	.220
2190	3750 Lbs.	3/8-16	.625	.875	1.250	.188	2.000	.220
2200	5000 Lbs.	1/2-13	.750	1.125	1.875	.250	2.000	.510
2202	7400 Lbs.	3/4-10	1.062	1.500	3.000	.500	2.000	1.680

= 10 Series Compatible Part