

# 80/20<sup>®</sup> Inc.

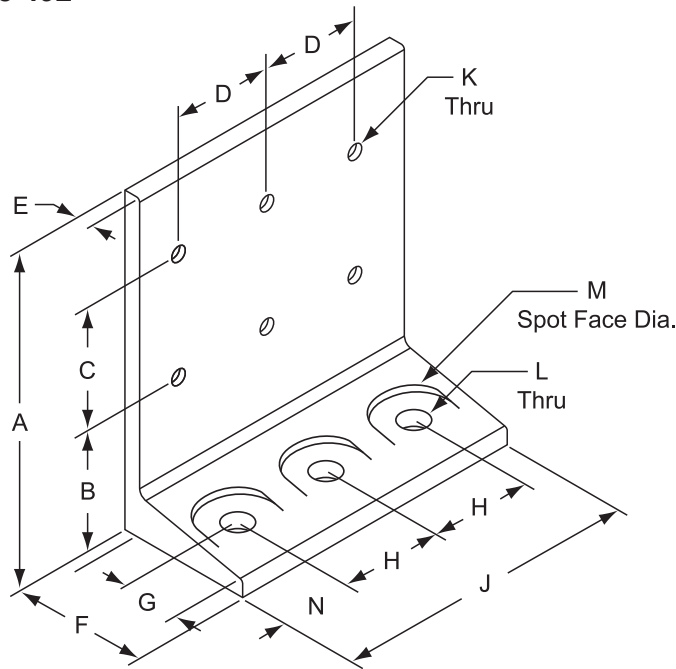
The *Industrial Erector Set*<sup>®</sup>

## THE STANDARD



### Economy Floor Mount Base Plates

- 10 and 15 Series compatible
- Made of 6105-T5 clear anodized aluminum
- Allows for vertical adjustment by bolting directly to T-slot
- Strong, economical method of mounting frame to floor
- Easily secure frame in place by using wedge floor anchors on page 492



Part No.	A	B	C	D	E	F	G	H	J	K	L	M	N	Lbs.
2414 <del>✗</del>	5.000	2.750	1.500	—	.250	2.000	.688	—	1.000	ø.257	ø.390	.875	.500	.175
2415	5.000	2.750	1.500	—	.250	2.000	.688	—	1.500	ø.328	ø.531	1.125	.750	.265
2416 <del>✗</del>	5.000	2.750	1.500	1.000	.250	2.000	.688	1.000	2.000	ø.257	ø.390	.875	.500	.350
2417	5.000	2.750	1.500	1.500	.250	2.000	.688	1.500	3.000	ø.328	ø.531	1.125	.750	.530
2404 <del>✗</del>	5.000	2.750	1.500	1.000	.250	2.000	.688	1.000	3.000	ø.257	ø.390	.875	.500	.525
2405	5.000	2.750	1.500	1.500	.250	2.000	.688	1.500	4.500	ø.328	ø.531	1.125	.750	.795

#### Recommended Mounting Hardware (Mount to T-Slot):

Part No.	Description	Base Plate	Quantity
3321 <del>✗</del>	1/4-20 FBHSCS & Economy T-Nut	2414 <del>✗</del>	2
		2416 <del>✗</del>	4
		2404 <del>✗</del>	6
3325	5/16-18 Economy T-Slot Stud w/Washer & Hex Nut	2415	2
		2417	4
		2405	6
OR			
3320	5/16-18 FBHSCS & Economy T-Nut	2415	2
		2417	4
		2405	6