

# 80/20<sup>®</sup> Inc.

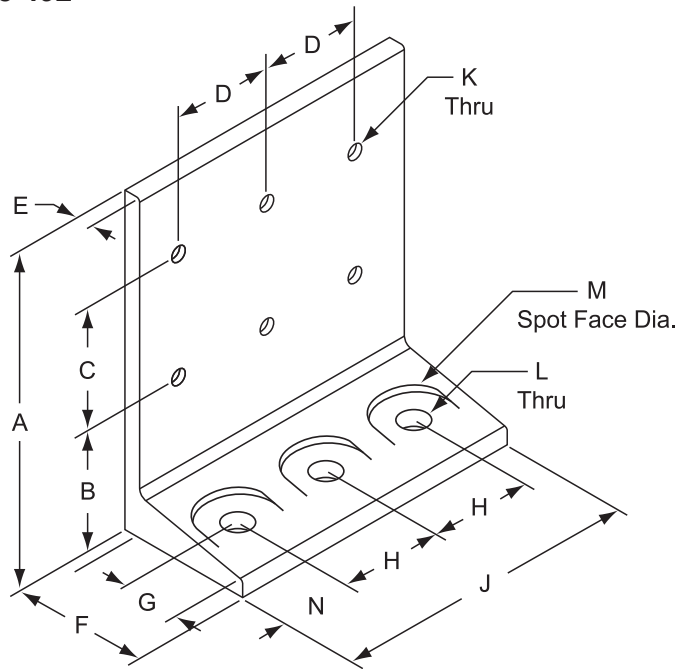
The Industrial Erector Set<sup>®</sup>

## THE STANDARD



### Economy Floor Mount Base Plates

- 10 and 15 Series compatible
- Made of 6105-T5 clear anodized aluminum
- Allows for vertical adjustment by bolting directly to T-slot
- Strong, economical method of mounting frame to floor
- Easily secure frame in place by using wedge floor anchors on page 492



Part No.	A	B	C	D	E	F	G	H	J	K	L	M	N	Lbs.
2414	5.000	2.750	1.500	—	.250	2.000	.688	—	1.000	ø.257	ø.390	.875	.500	.175
2415	5.000	2.750	1.500	—	.250	2.000	.688	—	1.500	ø.328	ø.531	1.125	.750	.265
2416	5.000	2.750	1.500	1.000	.250	2.000	.688	1.000	2.000	ø.257	ø.390	.875	.500	.350
2417	5.000	2.750	1.500	1.500	.250	2.000	.688	1.500	3.000	ø.328	ø.531	1.125	.750	.530
2404	5.000	2.750	1.500	1.000	.250	2.000	.688	1.000	3.000	ø.257	ø.390	.875	.500	.525
2405	5.000	2.750	1.500	1.500	.250	2.000	.688	1.500	4.500	ø.328	ø.531	1.125	.750	.795

Recommended Mounting Hardware (Mount to T-Slot):

Part No.	Description	Base Plate	Quantity
3321	1/4-20 FBHSCS & Economy T-Nut	2414	2
		2416	4
		2404	6
3325	5/16-18 Economy T-Slot Stud w/Washer & Hex Nut	2415	2
		2417	4
		2405	6
OR			
3320	5/16-18 FBHSCS & Economy T-Nut	2415	2
		2417	4
		2405	6