

# 80/20<sup>®</sup> Inc.

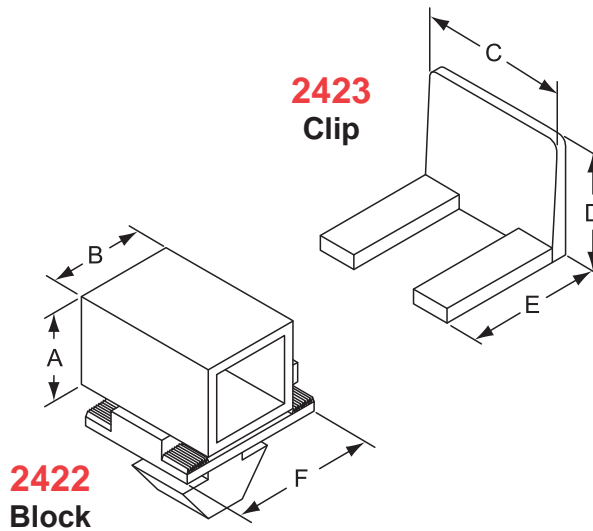
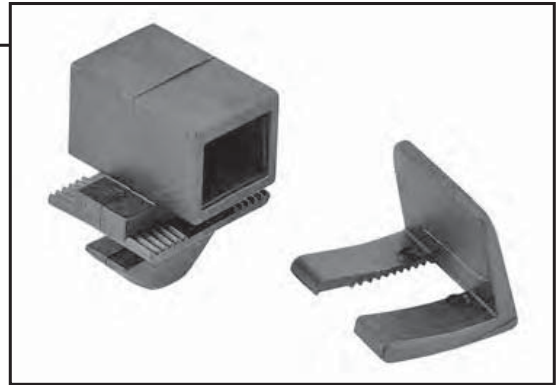
The *Industrial Erector Set*<sup>®</sup>

## THE STANDARD



### Quick Change Panel Clamp

- Use with 15 Series only
- Mounts panels up to 1/4" thick with no machining or hardware required
- Made of high strength black nylon
- 1/4 turn locks the block on the T-slot
- Easily remove the panel clip with a flat tip screwdriver



6

Part No.	Description	A	B	C	D	E	F	Lbs.
2421	Complete Set (Block & Clip)	.775	.640	.980	.785	.870	.920	.018
2422	Block	.775	.640	-	-	-	.920	.014
2423	Panel Clip	-	-	.980	.785	.870	-	.004

**Note:** To calculate the panel height, subtract .450" from dimension N.

