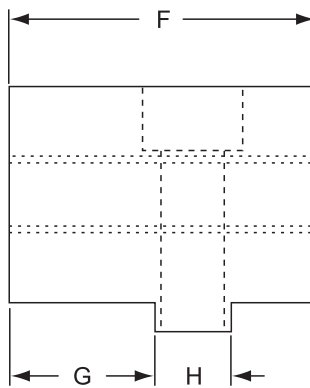
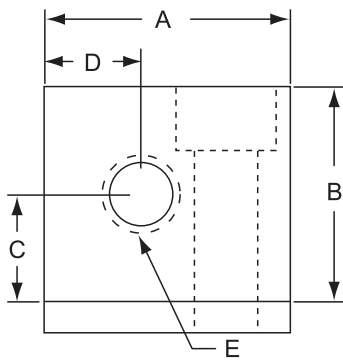
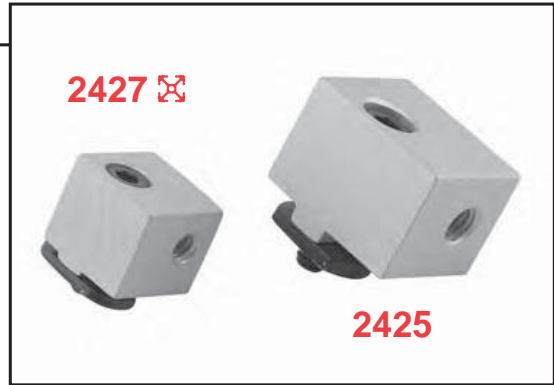


Fractional

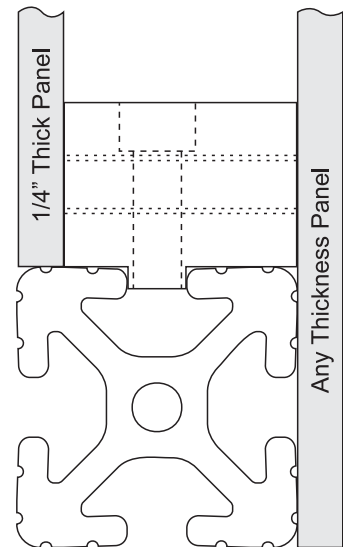
Panel Mount Blocks



- 10 and 15 Series compatible
- Hardware for mounting block to T-slot included
- Made of 6105-T5 clear anodized aluminum
- Firmly mount plastic panels flush or offset
- Simplifies adding or removal of plastic panels
- See page 600 for panel machining services



2425 Shown



Recommended Mounting Hardware (Mount to 1/4" Panel):

Part No.	Qty	Description
3063	1	1/4-20 x 5/8" BHSCS
3114	1	5/16-18 x 3/4" BHSCS

Part No.	A	B	C	D	E	F	G	H	Lbs.
2427	.750	.700	.375	.250	1/4-20 Tap Thru	.812	.373	.247	.050
2425	1.000	.880	.437	.390	5/16-18 Tap Thru	1.250	.600	.310	.120

Note: 2427 - mounts 3/16" panels flush with 10 Series profiles.
 2425 - mounts 1/4" panels flush with 15 Series profiles.

☒ = 10 Series Compatible Part