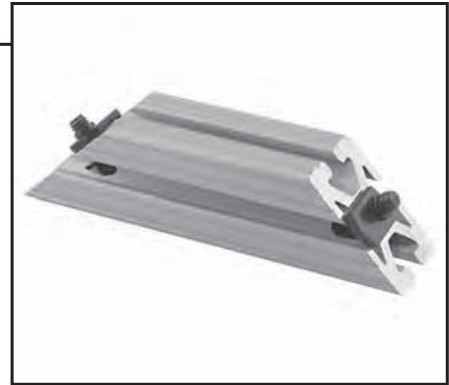
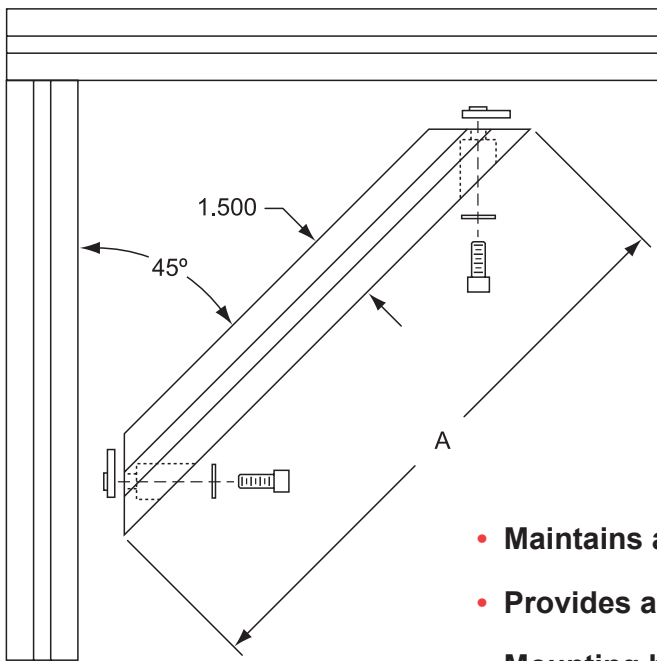


Fractional

45° Supports – 15 Series with Align-a-Grooves



- Maintains a clean, flush connection
- Provides a strong right angle support for corners
- Mounting hardware included with each support
- See page 570 for Custom 45° Supports

Part No.	Profile	Length A	Mounting Hardware Included	Lbs.
2556	1501	6.00"	(2) 5/16-18x3/4 SHCS, Washer and Economy T-Nuts	.441
2557	1501	12.00"	(2) 5/16-18x3/4 SHCS, Washer and Economy T-Nuts	.951
2558	1501	18.00"	(2) 5/16-18x3/4 SHCS, Washer and Economy T-Nuts	1.421
2559	1501	24.00"	(2) 5/16-18x3/4 SHCS, Washer and Economy T-Nuts	1.945
2525	1515	6.00"	(2) 5/16-18x3/4 SHCS, Washer and Economy T-Nuts	.570
2535	1515	12.00"	(2) 5/16-18x3/4 SHCS, Washer and Economy T-Nuts	1.235
2545	1515	18.00"	(2) 5/16-18x3/4 SHCS, Washer and Economy T-Nuts	1.885
2555	1515	24.00"	(2) 5/16-18x3/4 SHCS, Washer and Economy T-Nuts	2.555
2562	1515-Lite	6.00"	(2) 5/16-18x3/4 SHCS, Washer and Economy T-Nuts	.450
2561	1515-Lite	12.00"	(2) 5/16-18x3/4 SHCS, Washer and Economy T-Nuts	.970
2563	1515-Lite	18.00"	(2) 5/16-18x3/4 SHCS, Washer and Economy T-Nuts	1.450
2564	1515-Lite	24.00"	(2) 5/16-18x3/4 SHCS, Washer and Economy T-Nuts	1.985
2527	1515-UL	6.00"	(2) 5/16-18x3/4 SHCS, Washer and Economy T-Nuts	.574
2528	1515-UL	12.00"	(2) 5/16-18x3/4 SHCS, Washer and Economy T-Nuts	1.051
2529	1515-UL	18.00"	(2) 5/16-18x3/4 SHCS, Washer and Economy T-Nuts	1.527
2532	1515-UL	24.00"	(2) 5/16-18x3/4 SHCS, Washer and Economy T-Nuts	2.003
2530	1530	6.00"	(4) 5/16-18x3/4 SHCS, Washer and Economy T-Nuts	1.035
2540	1530	12.00"	(4) 5/16-18x3/4 SHCS, Washer and Economy T-Nuts	2.130
2550	1530	18.00"	(4) 5/16-18x3/4 SHCS, Washer and Economy T-Nuts	3.435
2560	1530	24.00"	(4) 5/16-18x3/4 SHCS, Washer and Economy T-Nuts	4.460
2578	1530-Lite	6.00"	(4) 5/16-18x3/4 SHCS, Washer and Economy T-Nuts	.885
2579	1530-Lite	12.00"	(4) 5/16-18x3/4 SHCS, Washer and Economy T-Nuts	1.865
2580	1530-Lite	18.00"	(4) 5/16-18x3/4 SHCS, Washer and Economy T-Nuts	2.850
2581	1530-Lite	24.00"	(4) 5/16-18x3/4 SHCS, Washer and Economy T-Nuts	3.840
2526	1545	6.00"	(6) 5/16-18x3/4 SHCS, Washer and Economy T-Nuts	1.605
2531	1545	12.00"	(6) 5/16-18x3/4 SHCS, Washer and Economy T-Nuts	3.461
2536	1545	18.00"	(6) 5/16-18x3/4 SHCS, Washer and Economy T-Nuts	5.174
2541	1545	24.00"	(6) 5/16-18x3/4 SHCS, Washer and Economy T-Nuts	7.090