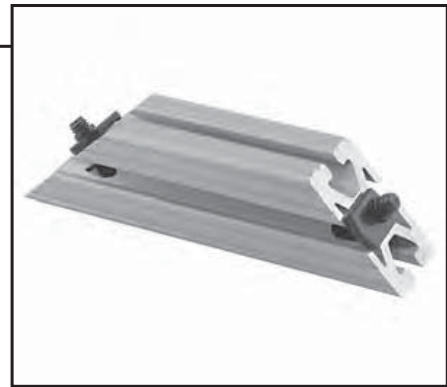
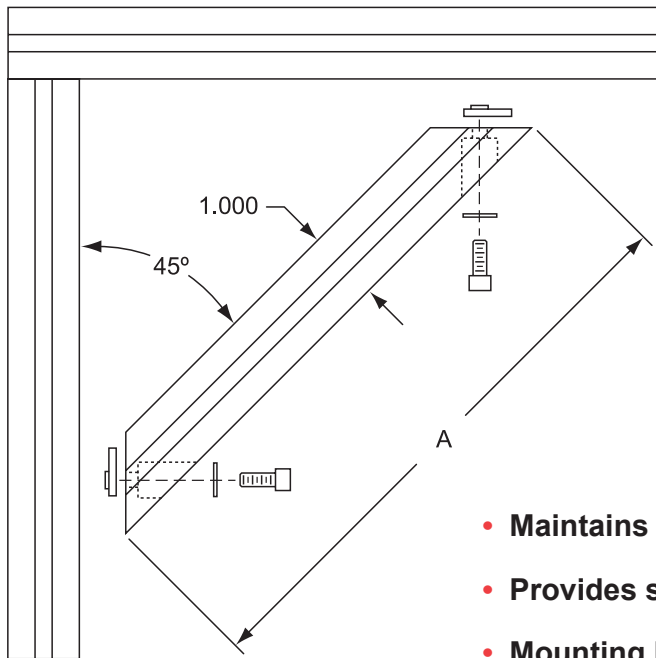


80/20[®] Inc.











The *Industrial Erector Set*[®]

THE STANDARD

45° Supports – 10 Series 



- **Maintains a clean, flush connection**
- **Provides strong right angle support for corners**
- **Mounting hardware included with each support**
- **See page 570 for Custom 45° Supports**

| Part No. | Profile | Length A | Mounting Hardware Included | Lbs. |
|--|---------|----------|--|-------|
| 2565  | 1010 | 6.00" | (2) 1/4-20x5/8 SHCS, Washer and Economy T-Nuts | .240 |
| 2570  | 1010 | 12.00" | (2) 1/4-20x5/8 SHCS, Washer and Economy T-Nuts | .485 |
| 2575  | 1010 | 18.00" | (2) 1/4-20x5/8 SHCS, Washer and Economy T-Nuts | .725 |
| 2566  | 1020 | 6.00" | (4) 1/4-20x5/8 SHCS, Washer and Economy T-Nuts | .454 |
| 2567  | 1020 | 12.00" | (4) 1/4-20x5/8 SHCS, Washer and Economy T-Nuts | .918 |
| 2568  | 1020 | 18.00" | (4) 1/4-20x5/8 SHCS, Washer and Economy T-Nuts | 1.372 |
| 2571  | 1030 | 6.00" | (6) 1/4-20x5/8 SHCS, Washer and Economy T-Nuts | .694 |
| 2572  | 1030 | 12.00" | (6) 1/4-20x5/8 SHCS, Washer and Economy T-Nuts | 1.403 |
| 2573  | 1030 | 18.00" | (6) 1/4-20x5/8 SHCS, Washer and Economy T-Nuts | 2.097 |
| 2574  | 1030 | 24.00" | (6) 1/4-20x5/8 SHCS, Washer and Economy T-Nuts | 2.820 |