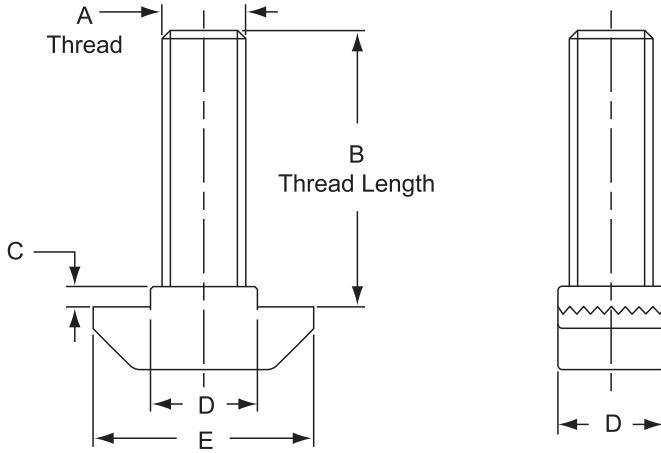


80/20[®] Inc.
 The *Industrial Erector Set[®]*
THE STANDARD

Drop-In T-Studs
 Steel

- 15 Series compatible
- Loads from the profile end or side

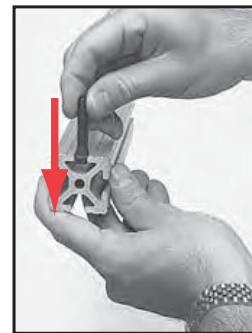


Part No.	Material	A	B	C	D	E	Lbs.	Compatibility Code*
13144	Zinc-Plated Steel	M6	.787	1.18	.303	.630	.012	8-15 8-40
13145			.984				.014	
13146			1.181				.018	
13147			1.575				.022	
13148			2.362				.028	

3

Drop-In T-Slot Studs

- 15 Series compatible
- Loads from the profile end or into the profile side when both ends are captivated
- Neck engages in T-slot opening, preventing rotation.
- Refer to pages 249-259 for our full nut and washer offering



Part No.	Finish	Thread x Length	Lbs.
3293	SAE Grade 5 Black Zinc Finish	5/16-18 x 3/4"	.023
3295	SAE Grade 5 Black Zinc Finish	5/16-18 x 1"	.027
3297	SAE Grade 5 Black Zinc Finish	5/16-18 x 1-1/4"	.032
3299	SAE Grade 5 Black Zinc Finish	5/16-18 x 1-1/2"	.036