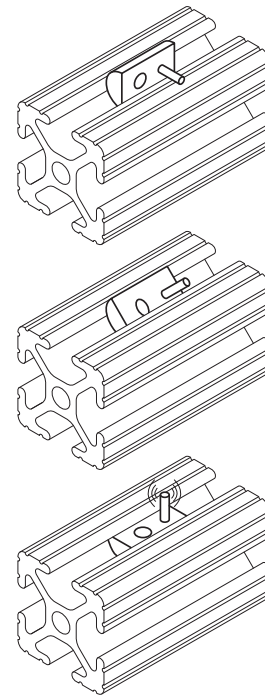
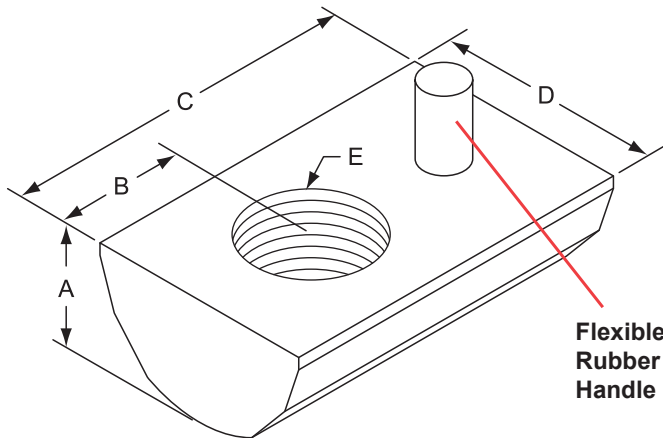


# Fractional

## Roll-In T-Nuts with Flex Handle



- Easy to add and reposition on existing frame where T-slot ends are captivated
- Can be loaded from the profile end or the profile side
- Rubber friction nub holds nut in vertical position in the T-slot
- This high strength T-nut reduces assembly time and can be easily removed from the T-slot
- Refer to pages 249-259 for our full screw and bolt offering



Part No.	A	B (Tap Location)	C	D	E (Thread)	Finish	Lbs.
3375	.200	.201	.620	.395	10-32	Black Zinc	.009
3790	.200	.201	.620	.395	10-32	Bright Zinc	.009
3376	.200	.201	.620	.395	1/4-20	Black Zinc	.008
3624	.200	.201	.620	.395	1/4-20	Stainless Steel	.008
3791	.200	.201	.620	.395	1/4-20	Bright Zinc	.009
3875	.200	.201	.620	.395	M5 x .80	Bright Zinc	.010
3876	.200	.201	.620	.395	M6 x 1.00	Bright Zinc	.008
3284	.285	.310	.875	.510	10-32	Black Zinc	.026
3784	.285	.310	.875	.510	10-32	Bright Zinc	.026
3283	.285	.310	.875	.510	1/4-20	Black Zinc	.024
3783	.285	.310	.875	.510	1/4-20	Bright Zinc	.025
3843	.285	.310	.875	.510	M6 x 1.00	Bright Zinc	.023
3282	.285	.310	.875	.510	5/16-18	Black Zinc	.023
3782	.285	.310	.875	.510	5/16-18	Bright Zinc	.023
3842	.285	.310	.875	.510	M8 x 1.25	Bright Zinc	.023
3602	.285	.310	.875	.510	1/4-20	Stainless Steel	.022
3600	.285	.310	.875	.510	5/16-18	Stainless Steel	.023

☒ = 10 Series Compatible Part