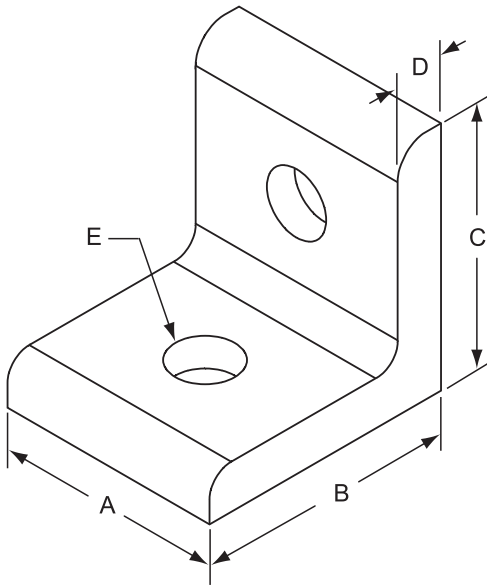


Fractional

2 Hole 1/8" Inside Corner Bracket



10 Series Recommended Mounting Hardware:

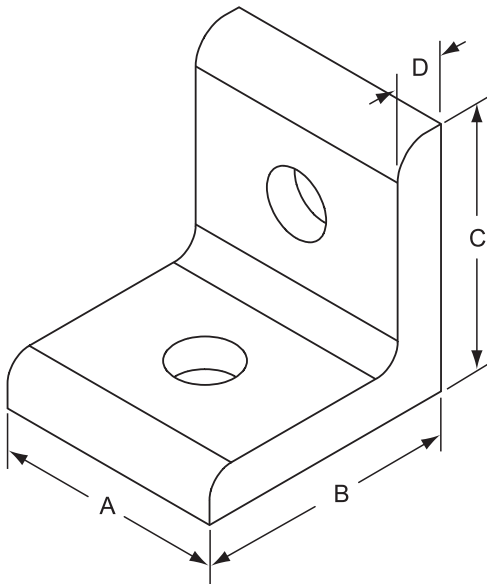
Part No.	Qty	Description
3386 ☒	2	1/4-20 x 3/8" FBHSCS & Econ T-Nut

For more 10 Series mounting hardware options, see Table L on page 267.

☒ = 10 Series Compatible Part

Part No.	A	B	C	D	E	Lbs.
4108 ☒	1.000	1.000	1.000	.125	ø.257	.020

2 Hole Inside Corner Bracket



10 Series Recommended Mounting Hardware:

Part No.	Qty	Description
3393 ☒	2	1/4-20 x 1/2" BHSCS & Econ T-Nut

For more 10 Series mounting hardware options, see Table M on page 268.

15 Series Recommended Mounting Hardware:

Part No.	Qty	Description
3320	2	5/16-18 x 11/16" FBHSCS & Econ T-Nut

For more 15 Series mounting hardware options, see Table N on page 268.

☒ = 10 Series Compatible Part

Part No.	A	B	C	D	Lbs.
4119 ☒	.875	1.000	1.000	.188	.025
4302	1.310	1.500	1.500	.250	.085