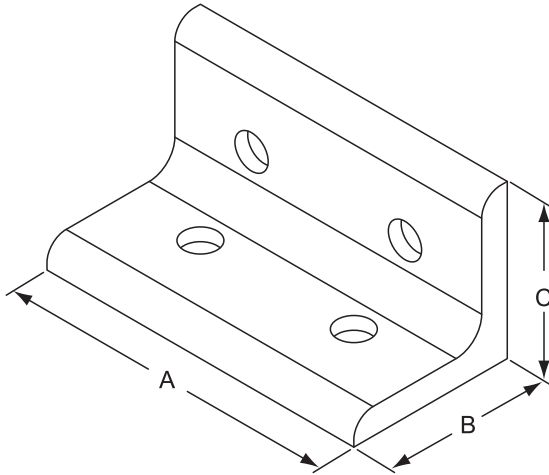
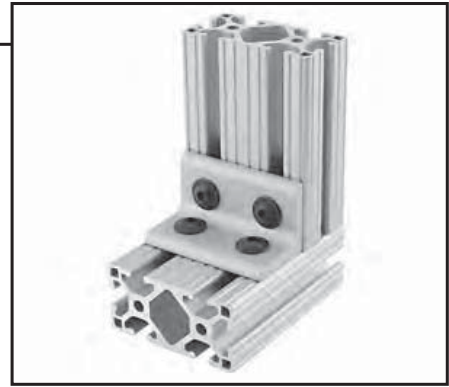


Fractional

4 Hole Inside Corner Bracket



10 Series Recommended Mounting Hardware:

Part No.	Qty	Description
3393 ☒	4	1/4-20 x 1/2" BHSCS & Econ T-Nut

For more 10 Series mounting hardware options, see Table M on page 268.

15 Series Recommended Mounting Hardware:

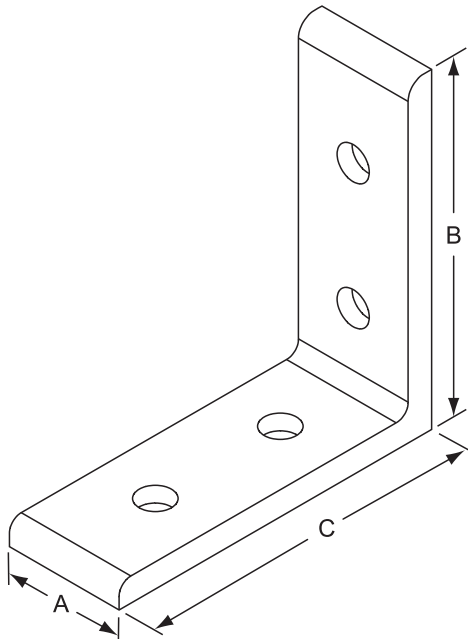
Part No.	Qty	Description
3320	4	5/16-18 x 1 1/16" FBHSCS & Econ T-Nut

For more 15 Series mounting hardware options, see Table N on page 268.

☒ = 10 Series Compatible Part

Part No.	A	B	C	Lbs.
4113 ☒	1.875	1.000	1.000	.055
4303	2.810	1.500	1.500	.175

4 Hole Inside Corner Bracket



10 Series Recommended Mounting Hardware:

Part No.	Qty	Description
3393 ☒	4	1/4-20 x 1/2" BHSCS & Econ T-Nut

For more 10 Series mounting hardware options, see Table M on page 268.

15 Series Recommended Mounting Hardware:

Part No.	Qty	Description
3320	4	5/16-18 x 1 1/16" FBHSCS & Econ T-Nut

For more 15 Series mounting hardware options, see Table N on page 268.

☒ = 10 Series Compatible Part

Part No.	A	B	C	Lbs.
4115 ☒	.875	2.000	2.000	.055
4301	1.310	3.000	3.000	.170