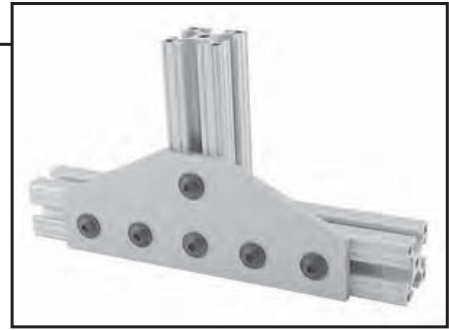
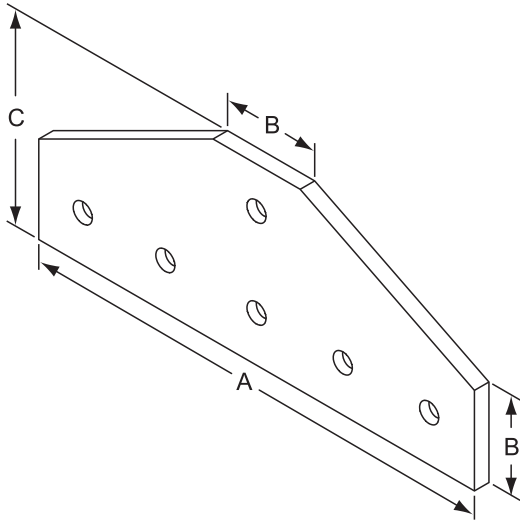


# Fractional

## 6 Hole Tee Joining Plate



10 Series Recommended Mounting Hardware:

Part No.	Qty	Description
3321	6	1/4-20 x 1/2" FBHSCS & Econ T-Nut

For more 10 Series mounting hardware options, see Table G on page 266.

15 Series Recommended Mounting Hardware:

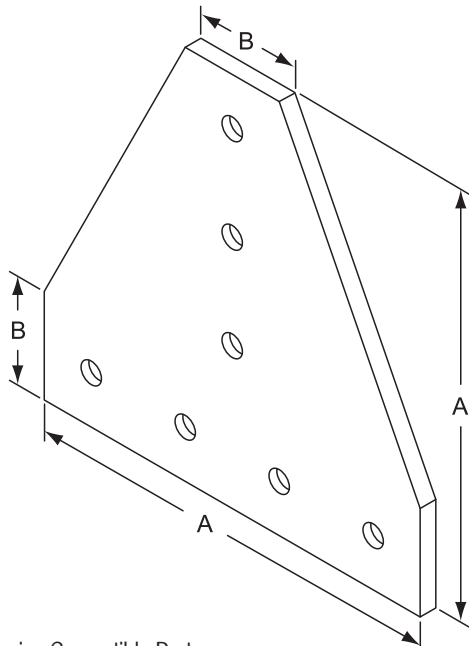
Part No.	Qty	Description
3320	6	5/16-18 x 1 1/16" FBHSCS & Econ T-Nut
OR		
3325	6	5/16-18 x 3/4" Econ. T-Slot Stud, Washer, Hex Nut

For more 15 Series mounting hardware options, see Table C on page 265.

= 10 Series Compatible Part

Part No.	A	B	C	Lbs.
4123	5.000	1.000	2.000	.140
4310	7.500	1.500	3.000	.425

## 7 Hole Tee Joining Plate



10 Series Recommended Mounting Hardware:

Part No.	Qty	Description
3321	7	1/4-20 x 1/2" FBHSCS & Econ T-Nut

For more 10 Series mounting hardware options, see Table G on page 266.

15 Series Recommended Mounting Hardware:

Part No.	Qty	Description
3320	7	5/16-18 x 1 1/16" FBHSCS & Econ T-Nut
OR		
3325	7	5/16-18 x 3/4" Econ. T-Slot Stud, Washer, Hex Nut

For more 15 Series mounting hardware options, see Table C on page 265.

= 10 Series Compatible Part

Part No.	A	B	Lbs.
4112	4.000	1.000	.200
4312	6.000	1.500	.615