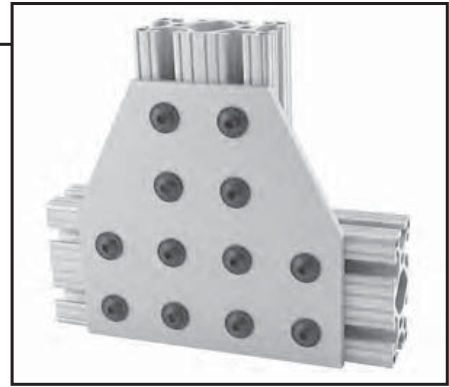
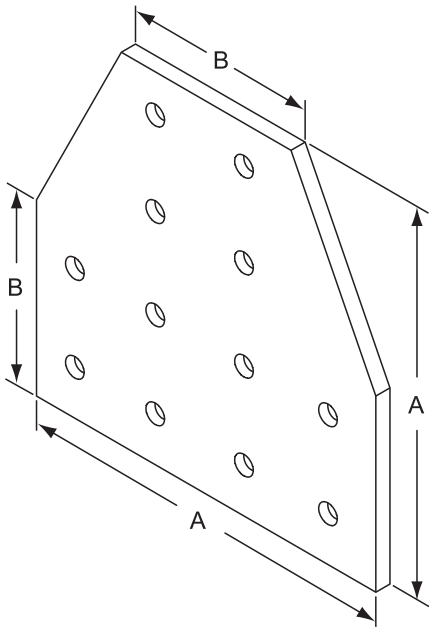


# Fractional

## 12 Hole Tee Joining Plate



10 Series Recommended Mounting Hardware:

Part No.	Qty	Description
3321	12	1/4-20 x 1/2" FBHSCS & Econ T-Nut

For more 10 Series mounting hardware options, see Table G on page 266.

15 Series Recommended Mounting Hardware:

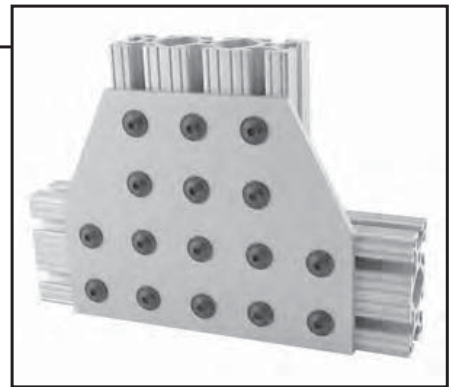
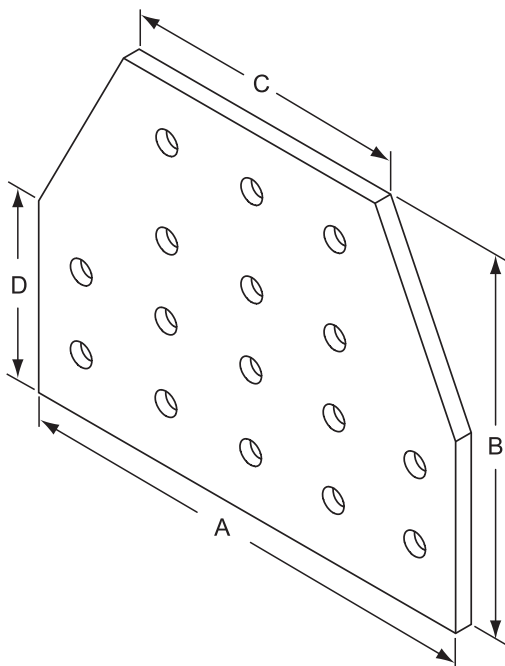
Part No.	Qty	Description
3320	12	5/16-18 x 1 1/16" FBHSCS & Econ T-Nut
OR		
3325	12	5/16-18 x 3/4" Econ. T-Slot Stud, Washer, Hex Nut

For more 15 Series mounting hardware options, see Table C on page 265.

= 10 Series Compatible Part

Part No.	A	B	Lbs.
4125	4.000	2.000	.240
4325	6.000	3.000	.715

## 16 Hole Tee Joining Plate



10 Series Recommended Mounting Hardware:

Part No.	Qty	Description
3321	16	1/4-20 x 1/2" FBHSCS & Econ T-Nut

For more 10 Series mounting hardware options, see Table G on page 266.

15 Series Recommended Mounting Hardware:

Part No.	Qty	Description
3320	16	5/16-18 x 1 1/16" FBHSCS & Econ T-Nut
OR		
3325	16	5/16-18 x 3/4" Econ. T-Slot Stud, Washer, Hex Nut

For more 15 Series mounting hardware options, see Table C on page 265.

= 10 Series Compatible Part

Part No.	A	B	C	D	Lbs.
4022	5.000	4.000	3.000	2.000	.300
4422	7.500	6.000	4.500	3.000	.930