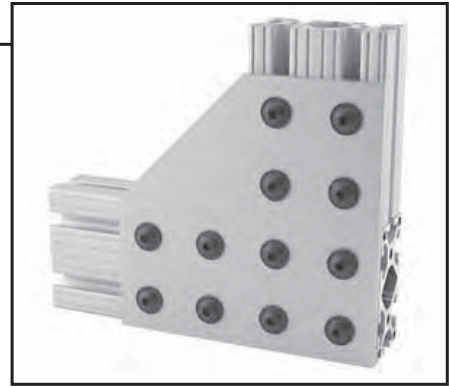
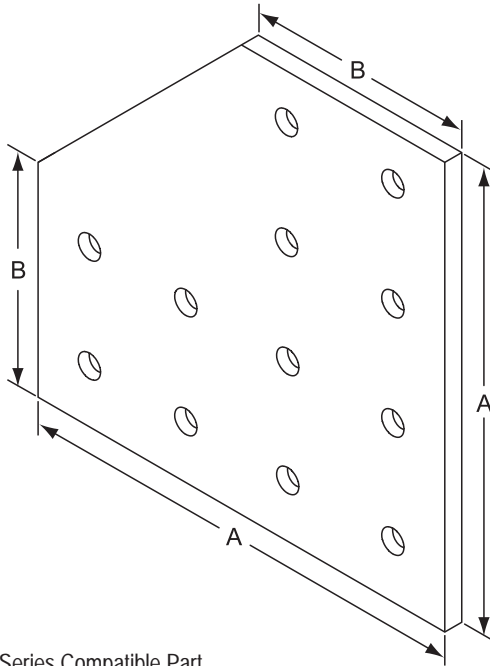


Fractional

12 Hole 90° Joining Plate



10 Series Recommended Mounting Hardware:

Part No.	Qty	Description
3321	12	1/4-20 x 1/2" FBHSCS & Econ T-Nut

For more 10 Series mounting hardware options, see Table G on page 266.

15 Series Recommended Mounting Hardware:

Part No.	Qty	Description
3320	12	5/16-18 x 1 1/16" FBHSCS & Econ T-Nut
OR		
3325	12	5/16-18 x 3/4" Econ. T-Slot Stud, Washer, Hex Nut

For more 15 Series mounting hardware options, see Table C on page 265.

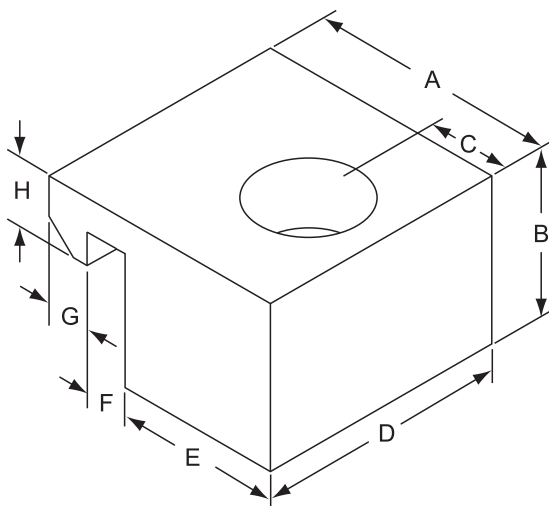
= 10 Series Compatible Part

Part No.	A	B	Lbs.
4128	4.000	2.000	.240
4328	6.000	3.000	.730

Clamp Block



NO MACHINING REQUIRED!



- 10 or 15 Series compatible
- Secures profiles at various angles
- Made from 6105-T5 aluminum
- Sold in pairs
- Mounting hardware included

= 10 Series Compatible Part

Part No.	A	B	C	D	E	F	G	H	Lbs.
4174	.710	.500	.250	.710	.500	.110	.100	.215	.044
4468	1.142	.750	.375	1.142	.750	.196	.196	.304	.109