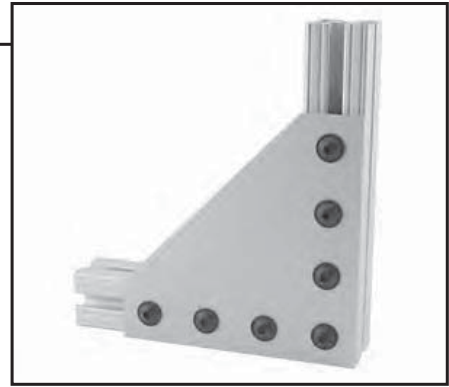
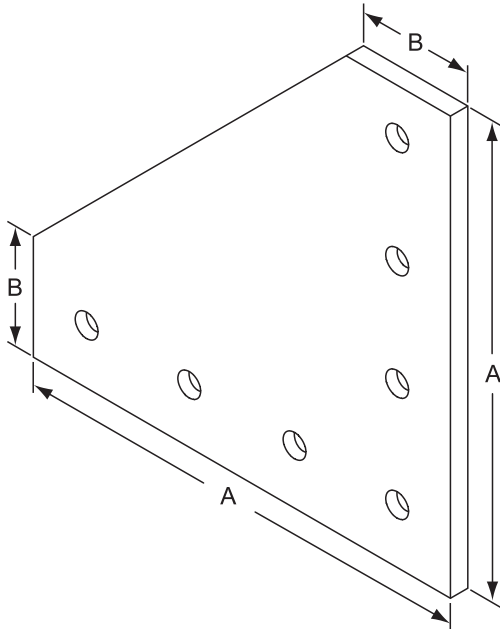


# Fractional

## 7 Hole 90° Joining Plate



10 Series Recommended Mounting Hardware:

Part No.	Qty	Description
3321 ☒	7	1/4-20 x 1/2" FBHSCS & Econ T-Nut

For more 10 Series mounting hardware options, see Table G on page 266.

15 Series Recommended Mounting Hardware:

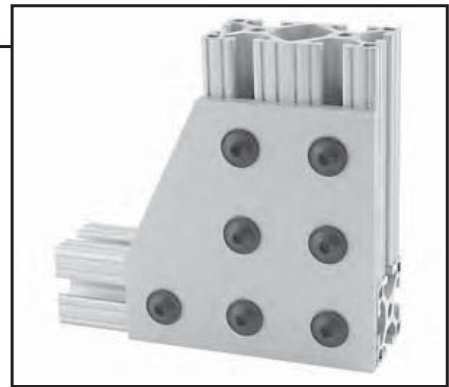
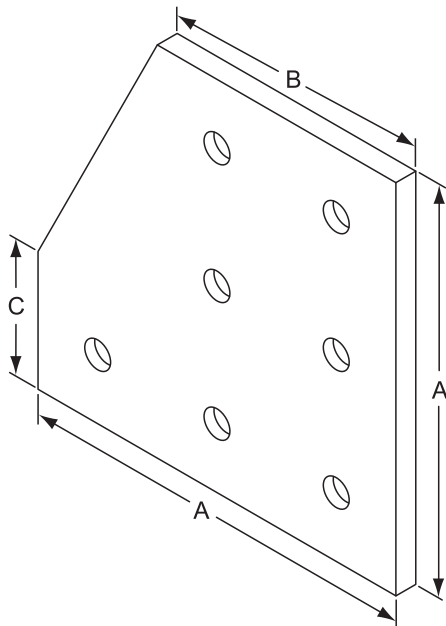
Part No.	Qty	Description
3320	7	5/16-18 x 1 1/16" FBHSCS & Econ T-Nut
OR		
3325	7	5/16-18 x 3/4" Econ. T-Slot Stud, Washer, Hex Nut

For more 15 Series mounting hardware options, see Table C on page 265.

☒ = 10 Series Compatible Part

Part No.	A	B	Lbs.
4152 ☒	4.000	1.000	.200
4352	6.000	1.500	.615

## 7 Hole 90° Joining Plate



10 Series Recommended Mounting Hardware:

Part No.	Qty	Description
3321 ☒	7	1/4-20 x 1/2" FBHSCS & Econ T-Nut

For more 10 Series mounting hardware options, see Table G on page 266.

15 Series Recommended Mounting Hardware:

Part No.	Qty	Description
3320	7	5/16-18 x 1 1/16" FBHSCS & Econ T-Nut
OR		
3325	7	5/16-18 x 3/4" Econ. T-Slot Stud, Washer, Hex Nut

For more 15 Series mounting hardware options, see Table C on page 265.

☒ = 10 Series Compatible Part

Part No.	A	B	C	Lbs.
4129 ☒	3.000	2.000	1.000	.135
4329	4.500	3.000	1.500	.415