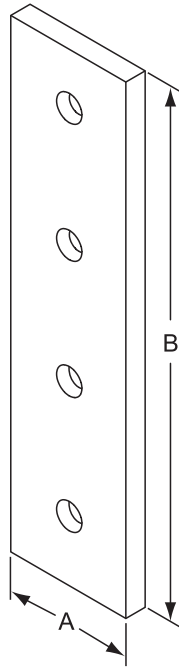


For more 10 Series mounting hardware options, see Table G on page 266.

For more 15 Series mounting hardware options, see Table C on page 265.

Fractional

4 Hole Joining Strip



10 Series Recommended Mounting Hardware:

Part No.	Qty	Description
3321	4	1/4-20 x 1/2" FBHSCS & Econ T-Nut

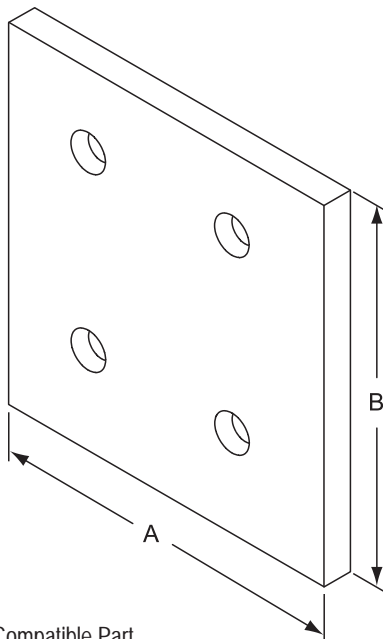
15 Series Recommended Mounting Hardware:

Part No.	Qty	Description
3320	4	5/16-18 x 1 1/16" FBHSCS & Econ T-Nut
OR		
3325	4	5/16-18 x 3/4" Econ. T-Slot Stud, Washer, Hex Nut

= 10 Series Compatible Part

Part No.	A	B	Lbs.
4117	.875	4.000	.060
4305	1.490	6.000	.215

4 Hole Joining Plate



10 Series Recommended Mounting Hardware:

Part No.	Qty	Description
3321	4	1/4-20 x 1/2" FBHSCS & Econ T-Nut

15 Series Recommended Mounting Hardware:

Part No.	Qty	Description
3320	4	5/16-18 x 1 1/16" FBHSCS & Econ T-Nut
OR		
3325	4	5/16-18 x 3/4" Econ. T-Slot Stud, Washer, Hex Nut

= 10 Series Compatible Part

Part No.	A	B	Lbs.
4167	2.000	2.000	.075
4367	3.000	3.000	.210