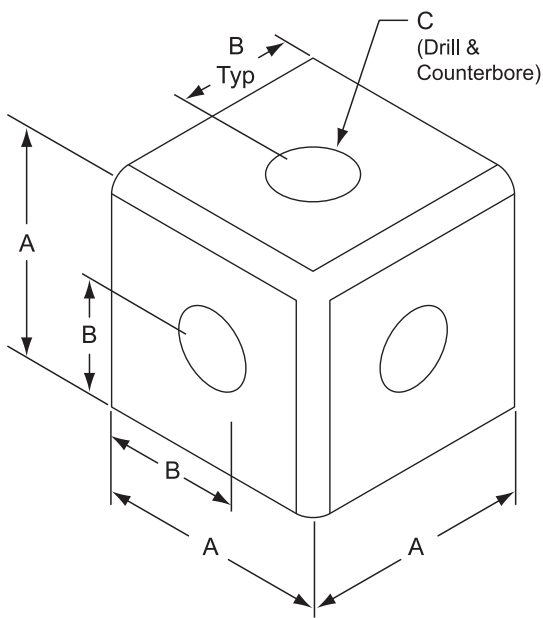


80/20[®] Inc.

The *Industrial Erector Set[®]*

THE STANDARD

Squared Tri-Corner Connector



10 Series Recommended Mounting Hardware:

Part No.	Qty	Description
3017 ☒	3	1/4-20 x 1" Low Head Socket Cap Screw

15 Series Recommended Mounting Hardware:

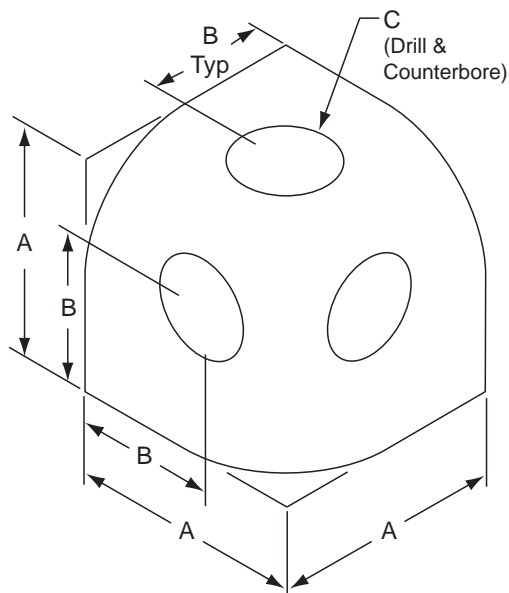
Part No.	Qty	Description
3018	3	5/16-18 x 1 1/4" Low Head Socket Cap Screw

☒ = 10 Series Compatible Part

Part No.	A	B	C	Lbs.
4042 ☒	1.000	.500	1/4-20 LHSCS	.085
4442	1.500	.750	5/16-18 LHSCS	.131

4

Rounded Tri-Corner Connector



10 Series Recommended Mounting Hardware:

Part No.	Qty	Description
3017 ☒	3	1/4-20 x 1" Low Head Socket Cap Screw

15 Series Recommended Mounting Hardware:

Part No.	Qty	Description
3018	3	5/16-18 x 1 1/4" Low Head Socket Cap Screw

☒ = 10 Series Compatible Part

Part No.	A	B	C	Lbs.
4041 ☒	1.000	.500	1/4-20 LHSCS	.085
4441	1.500	.750	5/16-18 LHSCS	.131