

# 80/20® Inc.

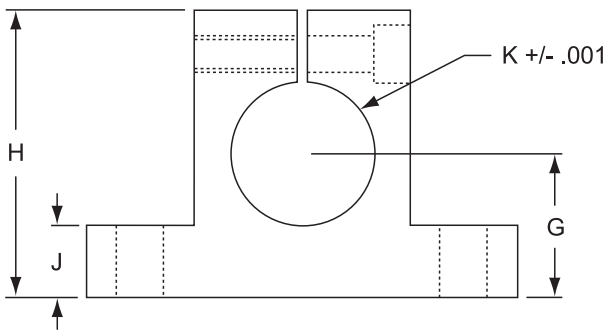
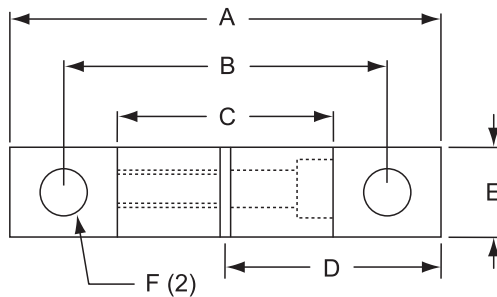
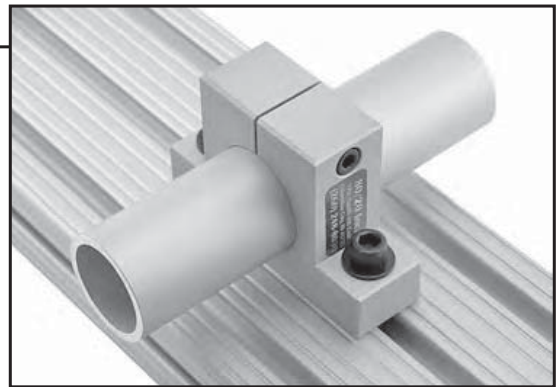
The Industrial Erector Set®

## THE STANDARD



### Single Horizontal Base

- 10 and 15 Series compatible
- Stanchion clamp screws included
- Made of 6105-T5 clear anodized aluminum
- Refer to page 209 for stanchion profiles



Part No.	Size	A	B	C	D	E	F	G	H	J	K	Lbs.
5860	1.000"	3.000	2.250	1.500	1.500	.875	.257 thru	1.062	2.128	.500	1.004	.268
5870	1.000"	3.000	2.250	1.500	1.500	.875	.328 thru	1.062	2.125	.500	1.004	.259
5880	1.500"	3.875	3.000	2.253	1.937	1.125	.328 thru	1.125	2.500	.750	1.505	1.253
5890	2.000"	4.750	3.750	2.750	2.375	1.437	.328 thru	1.625	3.250	1.000	2.005	1.074

☒ = 10 Series Compatible Part

10

Recommended Mounting Hardware (Stanchion to T-Slot):

Stanchion Part No.	Bolt Assembly Part No.	Qty	Bolts Thru	Description
5860 ☒	3471 ☒	2	J	1/4-20 x 7/8" SHCS, Econ T-Nut and Washer
5870	3470	2	J	5/16-18 x 1" SHCS, Econ T-Nut and Washer
5880	3421	2	J	5/16-18 x 1 1/4" SHCS, Econ T-Nut and Washer
5890	3422	2	J	5/16-18 x 1 1/2" SHCS, Econ T-Nut and Washer