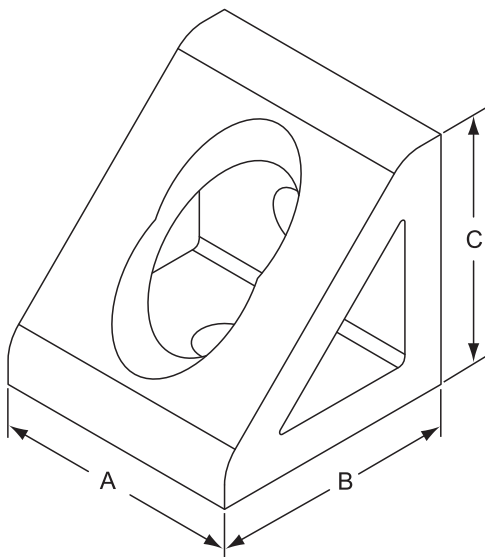


**80/20<sup>®</sup> Inc.**

The *Industrial Erector Set<sup>®</sup>*

**THE STANDARD**

2 Hole Inside Gusset Corner Bracket



10 Series Recommended Mounting Hardware:

Part No.	Qty	Description
3393 ☒	2	1/4-20 x 1/2" BHSCS & Econ T-Nut

For more 10 Series mounting hardware options, see Table M on page 268.

15 Series Recommended Mounting Hardware:

Part No.	Qty	Description
3320	2	5/16-18 x 11/16" FBHSCS & Econ T-Nut

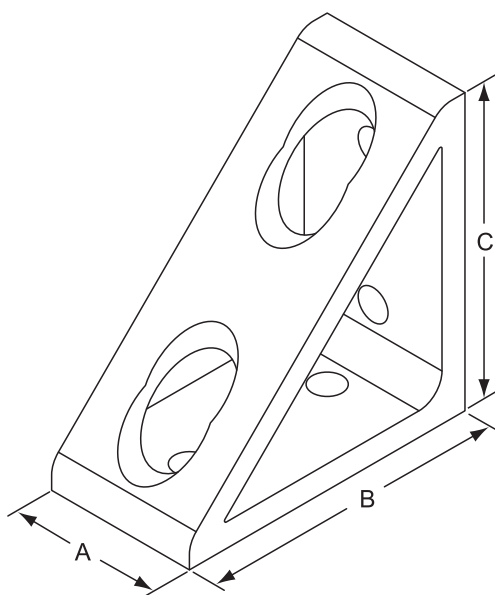
For more 15 Series mounting hardware options, see Table N on page 268.

☒ = 10 Series Compatible Part

Part No.	A	B	C	Lbs.
4132 ☒	.875	1.000	1.000	.041
4332	1.310	1.500	1.500	.125

4

4 Hole Inside Gusset Corner Bracket



10 Series Recommended Mounting Hardware:

Part No.	Qty	Description
3393 ☒	4	1/4-20 x 1/2" BHSCS & Econ T-Nut

For more 10 Series mounting hardware options, see Table M on page 268.

15 Series Recommended Mounting Hardware:

Part No.	Qty	Description
3320	4	5/16-18 x 11/16" FBHSCS & Econ T-Nut

For more 15 Series mounting hardware options, see Table N on page 268.

☒ = 10 Series Compatible Part

Part No.	A	B	C	Lbs.
4136 ☒	.875	2.000	2.000	.092
4336	1.310	3.000	3.000	.275