

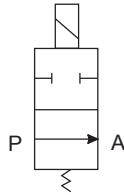
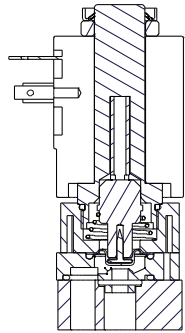
Series 4BKR

Application and Installation Guide



Series 4BKR Media Separated 2-Way, 2 Position, Normally Open and Normally Closed Solenoid Valves.

Two-Way, Two Position, Normally Open



- Position 1) Coil De-energized. Pressure inlet port P (1) is open to outlet port A (2).
- Position 2) Coil Energized. Pressure inlet port P (1) is blocked to outlet port A (2).

Pressure Outlet A (2) ↓ ↑ Pressure Inlet P (1)



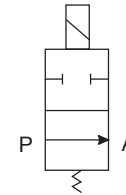
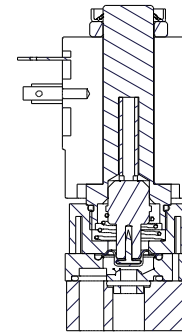
Series 4BKR

Application and Installation Guide



Series 4BKR Media Separated 2-Way, 2 Position, Normally Open and Normally Closed Solenoid Valves.

Two-Way, Two Position, Normally Open

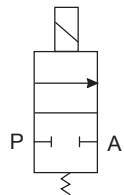
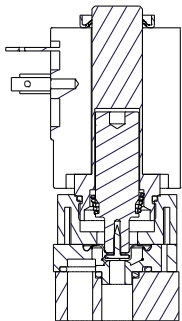


- Position 1) Coil De-energized. Pressure inlet port P (1) is open to outlet port A (2).
- Position 2) Coil Energized. Pressure inlet port P (1) is blocked to outlet port A (2).

Pressure Outlet A (2) ↓ ↑ Pressure Inlet P (1)



Two-Way, Two Position, Normally Closed

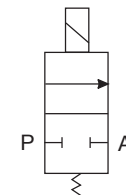
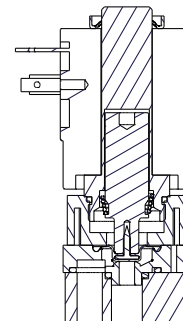


- Position 1) Coil De-energized. Pressure inlet port P (1) is closed from outlet port A (2).
- Position 2) Coil Energized. Pressure inlet port P (1) is connected to outlet port A (2).

Pressure Outlet A (2) ↓ ↑ Pressure Inlet P (1)



Two-Way, Two Position, Normally Closed



- Position 1) Coil De-energized. Pressure inlet port P (1) is closed from outlet port A (2).
- Position 2) Coil Energized. Pressure inlet port P (1) is connected to outlet port A (2).

Pressure Outlet A (2) ↓ ↑ Pressure Inlet P (1)



Warranty Information

Solenoid valves and all other products manufactured by Spartan are warranted by Spartan to be free from defects in material and workmanship for a period of 1 year from the date of purchase. Spartan's obligation under this warranty is limited to repair or replacement of the defective product or refund of the purchase price paid solely at the discretion of Spartan and provided such defective product is returned to Spartan freight prepaid and upon examination by Spartan such product is found defective. This warranty shall be void in the event that the product has been subject to misuse, misapplication, improper maintenance, modification or tampering. This warranty is expressed in lieu of all other warranties, expressed or implied from Spartan Scientific, Inc., representatives or employees.

SPARTAN SCIENTIFIC
www.spartanscientific.com

P.O. Box 9792, Boardman, Ohio 44513
(330) 758-8446 Fax: (330) 758-3314

Warranty Information

Solenoid valves and all other products manufactured by Spartan are warranted by Spartan to be free from defects in material and workmanship for a period of 1 year from the date of purchase. Spartan's obligation under this warranty is limited to repair or replacement of the defective product or refund of the purchase price paid solely at the discretion of Spartan and provided such defective product is returned to Spartan freight prepaid and upon examination by Spartan such product is found defective. This warranty shall be void in the event that the product has been subject to misuse, misapplication, improper maintenance, modification or tampering. This warranty is expressed in lieu of all other warranties, expressed or implied from Spartan Scientific, Inc., representatives or employees.

SPARTAN SCIENTIFIC
www.spartanscientific.com

P.O. Box 9792, Boardman, Ohio 44513
(330) 758-8446 Fax: (330) 758-3314

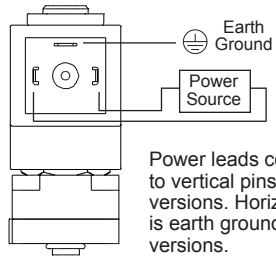
Series 4BKR

Application and Installation Guide



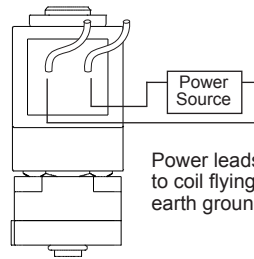
Electrical Hook-Up

Spade Style Coil



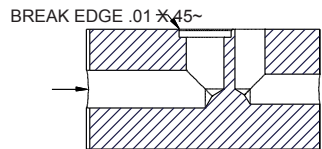
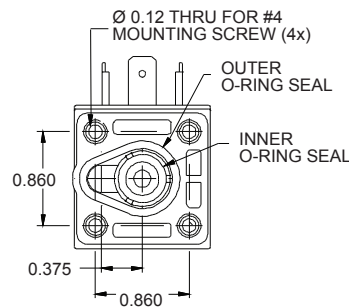
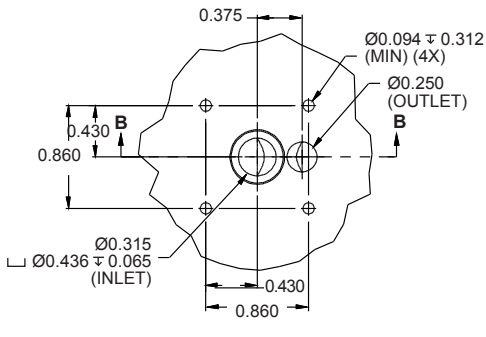
Power leads connected to vertical pins on all versions. Horizontal pin is earth ground on all versions.

Flying Lead Style Coil

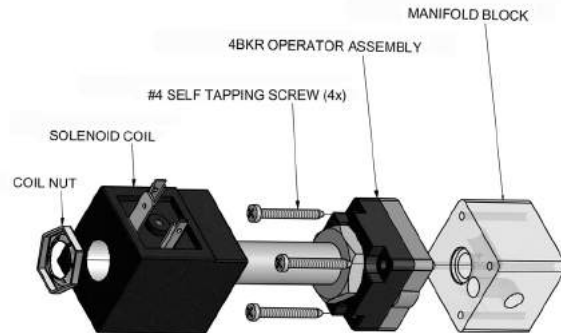


Power leads connected to coil flying leads. No earth ground present.

Mounting Diagram



SECTION B-B



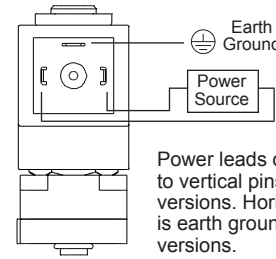
Series 4BKR

Application and Installation Guide



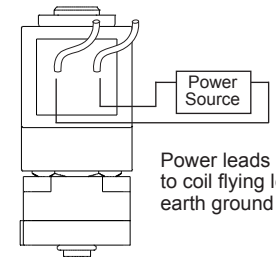
Electrical Hook-Up

Spade Style Coil



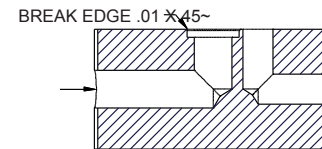
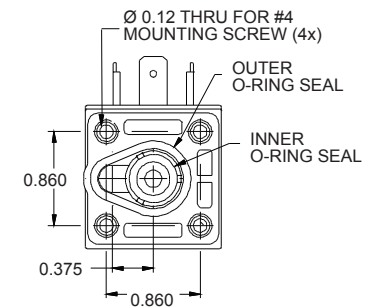
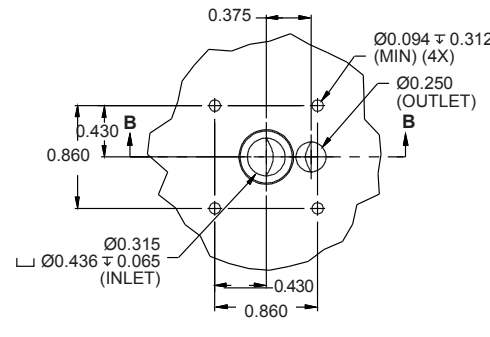
Power leads connected to vertical pins on all versions. Horizontal pin is earth ground on all versions.

Flying Lead Style Coil

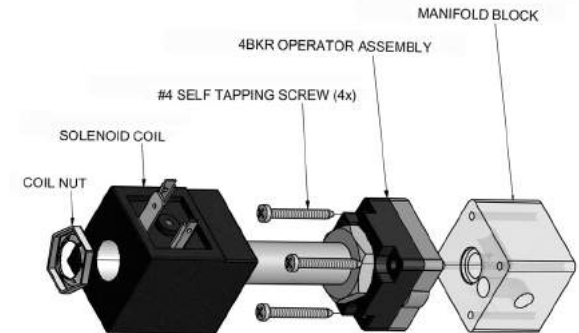


Power leads connected to coil flying leads. No earth ground present.

Mounting Diagram



SECTION B-B



Caution

Excessive use of pipe sealant can cause clogging and leakage. Please follow ASME standards for applying pipe sealant and tape. Do not use media, voltage or pressures other than that recommended by Spartan Scientific Inc. as valve malfunction could result. Misuse or misapplication of Spartan solenoid valves could cause serious bodily injury or property damage.

SPARTAN SCIENTIFIC
www.spartanscientific.com

P.O. Box 9792, Boardman, Ohio 44513
(330) 758-8446 Fax: (330) 758-3314

Caution

Excessive use of pipe sealant can cause clogging and leakage. Please follow ASME standards for applying pipe sealant and tape. Do not use media, voltage or pressures other than that recommended by Spartan Scientific Inc. as valve malfunction could result. Misuse or misapplication of Spartan solenoid valves could cause serious bodily injury or property damage.

SPARTAN SCIENTIFIC
www.spartanscientific.com

P.O. Box 9792, Boardman, Ohio 44513
(330) 758-8446 Fax: (330) 758-3314