



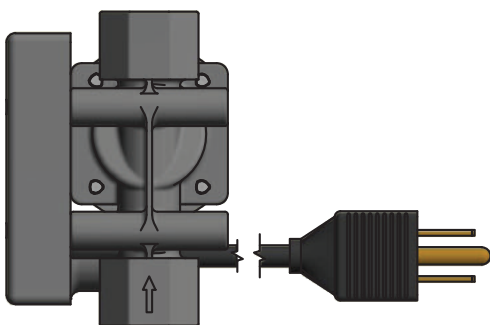
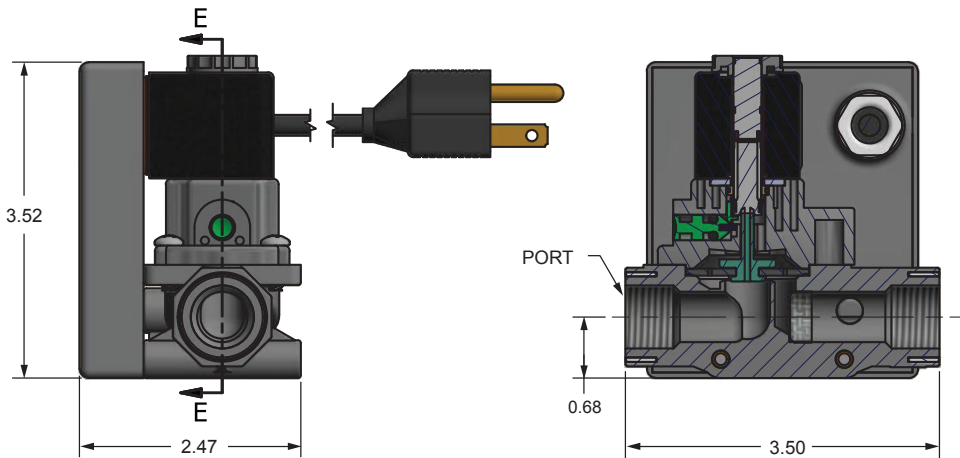
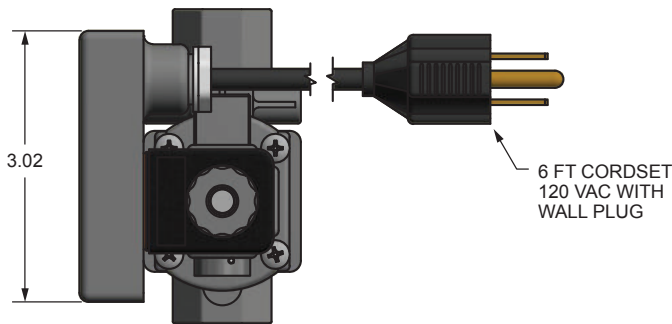
Series CRDV/S

Condensate Drain
Closed Loop Demand

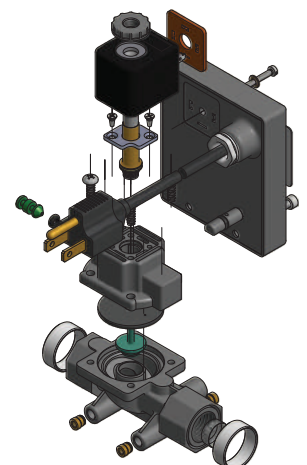
The Spartan Scientific Series CRDV/S Condensate Removal Drain Valve keeps your air compressor tank and air lines free of moisture by coupling a state of the art automatic timer with a solenoid valve, reducing rust and clogged air components while increasing compressor cycling and machine life. It features a self-cleaning cycle every 24 hours, status indicator lights, environment resistant design for long cycle life, along with an on board microprocessor from discrete components. As water effluent enters the CRDV/S, the self-learning mode opens the valve more often or less often based on the sensing of the water and demand thereof. The utility, size, ease of installation and price rival the features and cost of conventional timed electric drains.

Dimensional Data

ALL DIMENSIONS ARE IN INCHES UNLESS OTHERWISE NOTED



EXPLODED VIEW





Series CRDV/S

Condensate Drain
Closed Loop Demand

Technical Data

Function: 2-Way, 2-Position; Inlet Pilot Diaphragm;
Normally Closed

Port Size: 1/2" NPT

**Orifice Sizes /
Flow Factor:** 12.5mm /
2.45 Cv

Pressure Range: 0 to 180 psi

Temp. Range: Fluid max.: +60°C
Dry Range: Ambient +10° to +50°C
Note: This device is not recommended for
use in below freezing temperatures

Response Time: 20 to 80 ms Complete Cycle

Media: Air, emulsion, gas, water
(contact factory for compatibilities)

**Environment
Protection:** IP65 (IEC 144), NEMA 4
Dust-tight and water resistant
(with electrical connector)

Mounting: On pipe or #8 - 32 mounting holes on
valve base

Wetted Materials: Elastomers: FKM
(others available on request)
Manual Override: Polypropylene
Operator: 400 Series Stainless Steel and Brass
Orifice Insert: Polypropylene
Shading Ring: Copper
Springs: 300 Series Stainless Steel
Valve Body: Glass-Filled Nylon

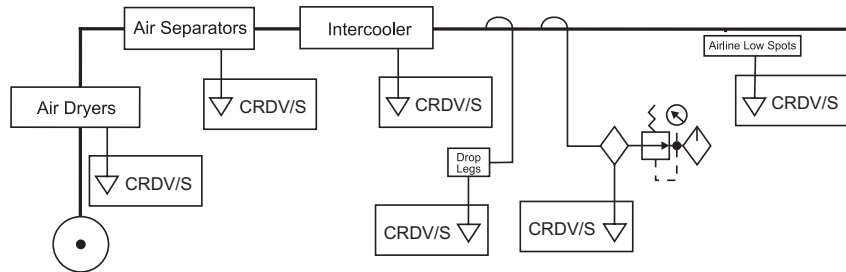
Coil Data: Duty Cycle: Continuous
(within specifications)
Encapsulation: Glass-Filled Nylon
Insulation: Class F
Power Rating: 8.5 VA
Voltage: 120 VAC 50/60 Hz
Voltage tolerance: +/- 10% Nominal
Winding: Class H

**Transient
Suppression:** MOV

Cable: 6 ft. Cord with grounded wall plug

Packaged Weight: 1.1 lbs.

Applications



How To Order

CRDVS - 3072

Repair Kit

Kit includes: Solenoid Coil, Solenoid
Operator Assembly & Viton Diaphragm

Specify Part Number

CRDVS-RK

SPARTAN
SCIENTIFIC

P.O. Box 9792 • Boardman, Ohio 44513
PH: (855)629-4648 • Fax: (330)758-3314
www.spartanscientific.com