

# *HP SERIES*

## Unitary Piston Compressor



### Benefits

- Long Service Free Life
- Low Vibration & Sound Level
- Corrosion Resistance
- Cool Operating Temperature
- Restart Against Load

### Features

- Thin-walled, Hard Coated Anodized Cylinder
- Oil-less, Non-lube PTFE Piston Seal
- Permanently Lubricated Ball Bearings
- Proven "Unitary Piston" Technology
- Dust & Moisture Resistant
- Integrated Inlet Filter
- Balanced Eccentric/Connecting Rod Assembly
- Epoxy E-Coated Wetted Aluminum Components
- Stainless Steel Valves, Retainers and Screws
- Die Cast Aluminum Components
- High Torque DC Motor



TruNorth Components, Inc.

2100 Sunset Drive

Plymouth, WI 53073

Phone: (855)449-7867

[www.trunorthcomponents.com](http://www.trunorthcomponents.com)

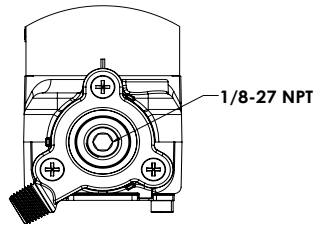


**TruNorth Components, Inc.**

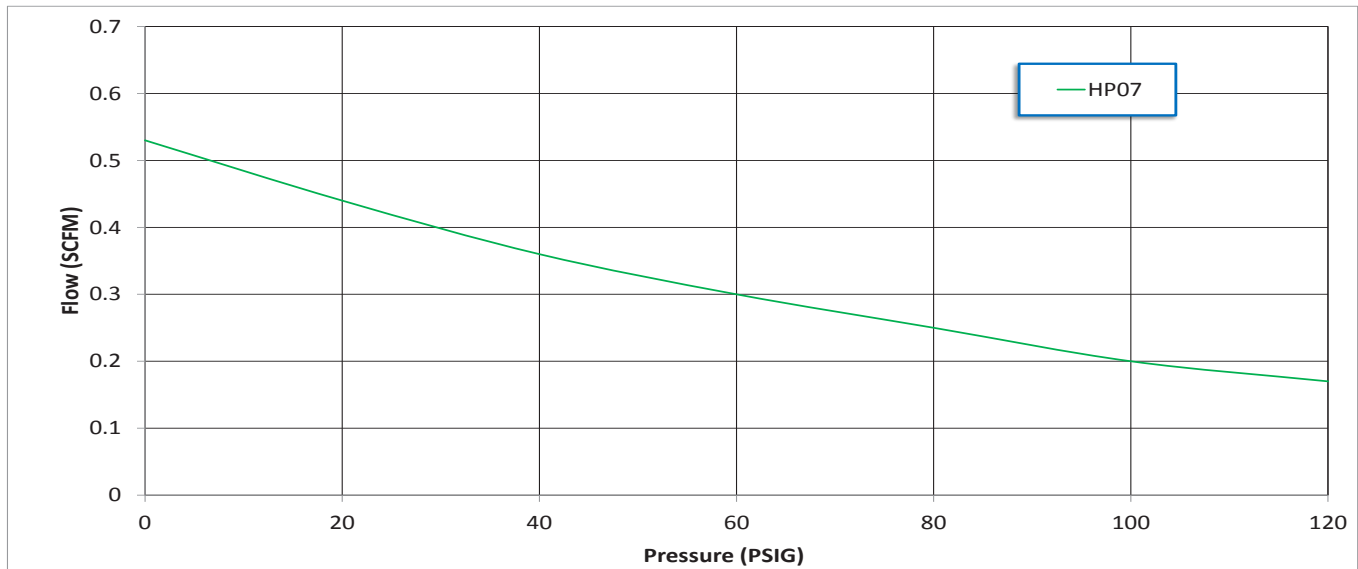
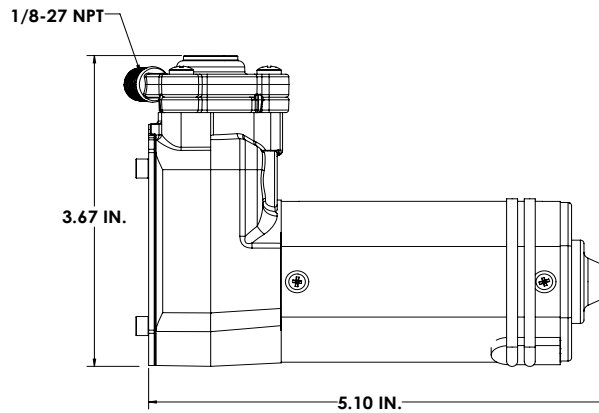
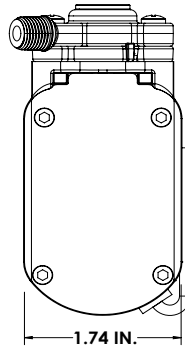
"A Principle Driven Company"

# HP Series Performance Data

<b>Model Number</b>	<b>HP07-AE56</b>
<b>Head Configuration</b>	Pressure Only
<b>Free Air Flow</b>	.53 SCFM
<b>Max Continuous Pressure</b>	N/A
<b>Max Intermittent Pressure</b>	120 PSIG
<b>Max Restart Pressure</b>	120 PSIG
<b>Max Vacuum</b>	N/A
<b>Max Restart Vacuum</b>	N/A
<b>Max Ambient Air Temp</b>	125° F
<b>Min Ambient Start Temp</b>	-20° F
<b>Motor Voltage/Frequency</b>	115V/60Hz
<b>Motor Type</b>	Permanent Magnet
<b>Current at Rated Load</b>	10.3Amps
<b>Power at Rated Load</b>	124 Watts
<b>Max Duty Cycle - (Minutes On/Off)</b>	10% (3 on/ 27 off)
<b>Starting Current (Locked Rotor)</b>	32 Amps
<b>Min Full Load Speed</b>	4000 RPM
<b>Thermal Protector</b>	N/A
<b>Net Weight</b>	1.61 lbs.



16 GAUGE LEAD WIRES, 7.9" +/- .6" LONG,  
(1) BLACK, (1) RED



The information presented in this material is based on technical data and test results of nominal units. It is believed to be accurate and reliable and is offered as an aid to help in the selection of TruNorth products. It is the responsibility of the user to determine if this product is suitable for the intended use. The user assumes all risk and liability whatsoever in connection therewith. TruNorth does not warrant, guarantee or assume any obligation in connection with this information.