

LD SERIES

Diaphragm Compressor/Vacuum Pumps



Benefits

- Long Service Free Life
- Low Vibration & Sound Level
- Corrosion Resistance
- Cool Operating Temperature
- Electrically Safe
- Low Power Consumption
- Restart Against Load

Features

- Oil-Less Operation
- Stainless Steel Valves
- Permanently Lubricated Ball Bearings
- Durable Diaphragm
- Balanced Eccentric/Connecting Rod Assembly
- Epoxy E-Coated Wetted Components
- Stainless Steel Valves, Retainers and Screws
- Oversized Front Mounted 9-Blade Fan
- Die Cast Aluminum Components
- UL Recognized Motor & Thermal Protector
- Efficient 4.4" Diameter Motor
- Arc Formed Valves (Optional)



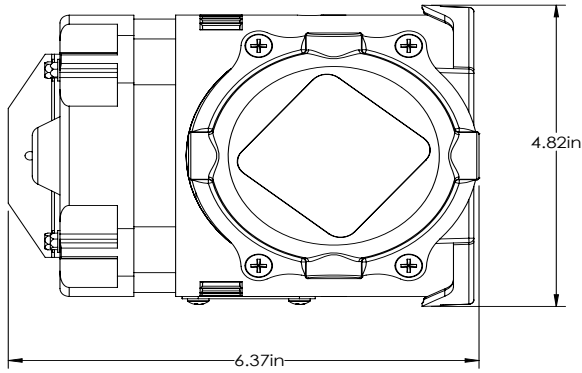
TruNorth Components, Inc.
"A Principle Driven Company"

TruNorth Components, Inc.

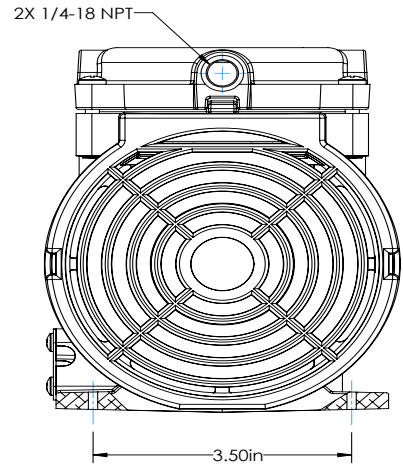
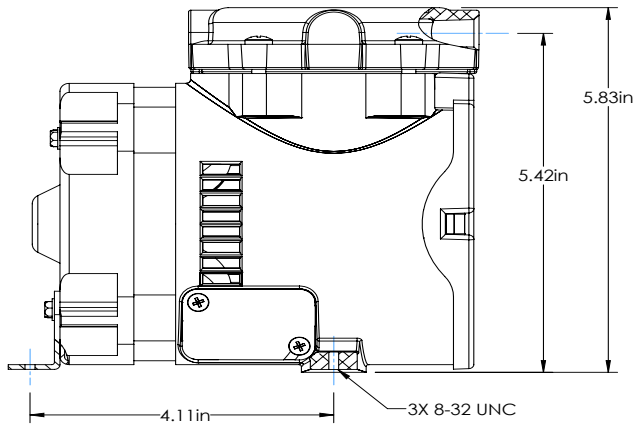
2100 Sunset Drive
Plymouth, WI 53073
Phone: (855)449-7867
www.trunorthcomponents.com



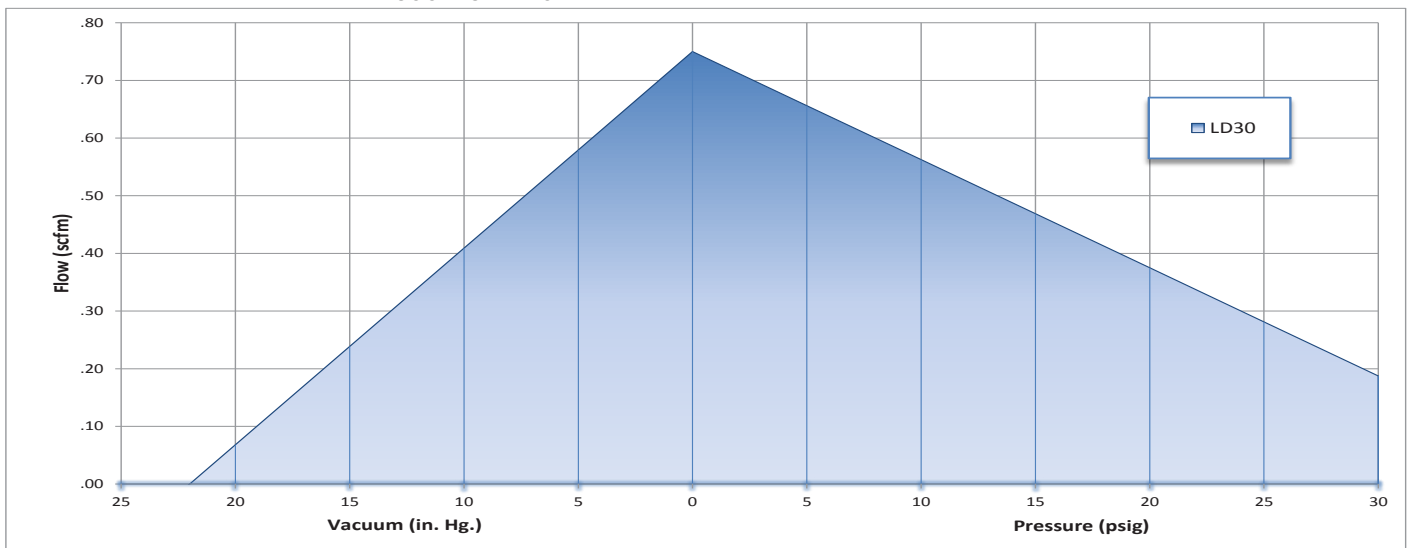
LD Series Performance Data



Model Number	LD30
Head Configuration	Pressure/Vacuum
Free Air Flow	.75 SCFM
Max Continuous Pressure	20 PSIG
Max Intermittent Pressure	30 PSIG
Max Restart Pressure	Contact Factory
Max Vacuum	22" Hg
Max Restart Vacuum	Contact Factory
Max Ambient Air Temp	104° F
Min Ambient Start Temp	50° F
Motor Voltage/Frequency	115V/60Hz
Motor Type	Shaded Pole
Current at Rated Load	3.7 Amps
Power at Rated Load	200 Watts
Starting Current (Locked Rotor)	5.2 Amps
Min Full Load Speed	1610 RPM
Thermal Protector	Yes
Net Weight	6.9 lbs



← COOLING AIR FLOW



The information presented in this material is based on technical data and test results of nominal units. It is believed to be accurate and reliable and is offered as an aid to help in the selection of TruNorth products. It is the responsibility of the user to determine if this product is suitable for the intended use. The user assumes all risk and liability whatsoever in connection therewith. TruNorth does not warrant, guarantee or assume any obligation in connection with this information.