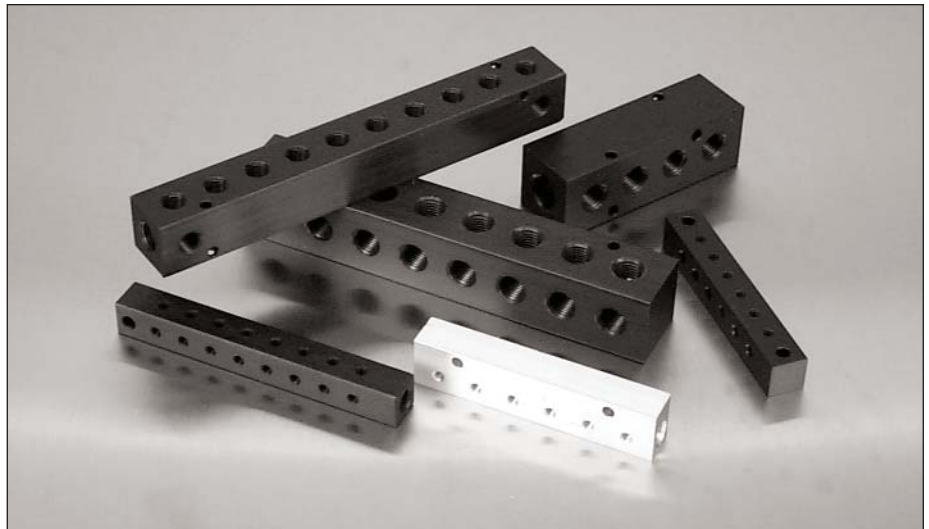


Features

- 2 to 10 stations
- Inline Manifolds, 90° Manifolds, Dual Air, Junction Blocks and Terminal Blocks
- Custom designs
- 1.5" center-to-center spacing available
- Variety of port sizes



Multiple Connection Manifolds

Manifolds provide a convenient junction point for the distribution of fluids or gases. Simply thread fittings into the ports to produce an organized method of supplying multiple lines from a single source.

Our aluminum manifolds go through a controlled oxidation process called anodizing which produces a non-conductive coating that provides corrosion and wear resistance. A black dye is added to the anodize solution to create our signature appearance however there are over thirty colors of anodic coatings available.

Performance Data

Operating Pressure

1000 psi non-shock- air, 3000 psi non-shock- hydraulic

Port Options

Definition	Options
Input	<ul style="list-style-type: none"> ● 1/8 NPT (F) ● 1/4 NPT (F) ● 3/8 NPT (F) ● 3/4 NPT (F) ● 1/2 NPT (F)
Output	<ul style="list-style-type: none"> ● 10-32 (F) ● 1/8 NPT (F) ● 1/4 NPT (F) ● 3/8 NPT (F)

Materials

Brass, Aluminum/ Black Anodize, 303 Stainless Steel, Polypropylene, Nylon

Product Number Diagram
Manifolds

M 20 - 1 25 - 5 - 90 W

Product Line

- DA= Dual Air
- JB= Junction Block
- M= Manifold
- MS= Manifold with porting on *two* sides
- MT= Manifold with porting on *three* sides
- TB= Terminal Block

Input

- 32= 10-32 (F)
- 10= 1/4 NPT (F)
- 20= 3/8 NPT (F)
- 30= 1/2 NPT (F)
- 35= 3/4 NPT (F)

Output

- 125= 1/8 NPT (F)
- 250= 1/4 NPT (F)
- 375= 3/8 NPT (F)

Suffix

- 90= Output ports at 90°/1" standard spacing
- 90W= Output ports at 90°/1.5" spacing
- BRS= Material: Brass
- SS= Material: 303 Stainless Steel
- PPN= Material: Polypropylene Natural
- NYN= Material: Nylon Natural

Number of Stations

- (Digit indicates number of stations)
- #= Select 1-10 /1" standard spacing
- #W= Select 1-10 /1.5" output spacing eg: 5W

Please use Product Information Listings to verify part number- not all configurations are possible

Example:

Manifold with 3/8 Input and 1/8 Output Ports at 90° with 1.5" spacing



Numerous styles and configurations available- customs welcome

Pneumadyne has been an innovator in the design and manufacture of pneumatic and hydraulic manifolds since 1976

Performance Data

Material	Operating Pressure at 72°F	Temp Range	Corrosion Resistance	Chemical Resistance	Durability	For Use With
Aluminum 6061	1000 psi non-shock air, 3000 psi non-shock hydraulic	-10° to 200° F	Good	Fair	Good	Air, water, natural gas, hydraulic oils, gasoline
Brass	2000 psi	-65° to 250° F	Good	Good	Excellent	Air, water, hydraulic oils
Stainless Steel 303	3500 psi	-100° to 500° F	Excellent	Good	Excellent	Air, water, hydraulic oils
Polypropylene	150 psi	32° to 230° F	Fair	Poor	Fair	Air, water
Nylon	200 psi	-60° to 200° F	Good	Fair	Fair	Air, water

Ordering Information

- To order standard product use part number listing.
- 1/8" and 5/32" push-to-connect fittings are available for use with standard 10-32 manifolds.
- To order New Material Manifolds replace the "" in the part number listing with the desired material abbreviation.
SS= 303 Stainless Steel
BRS= Brass
NYN= Nylon
PPN= Polypropylene

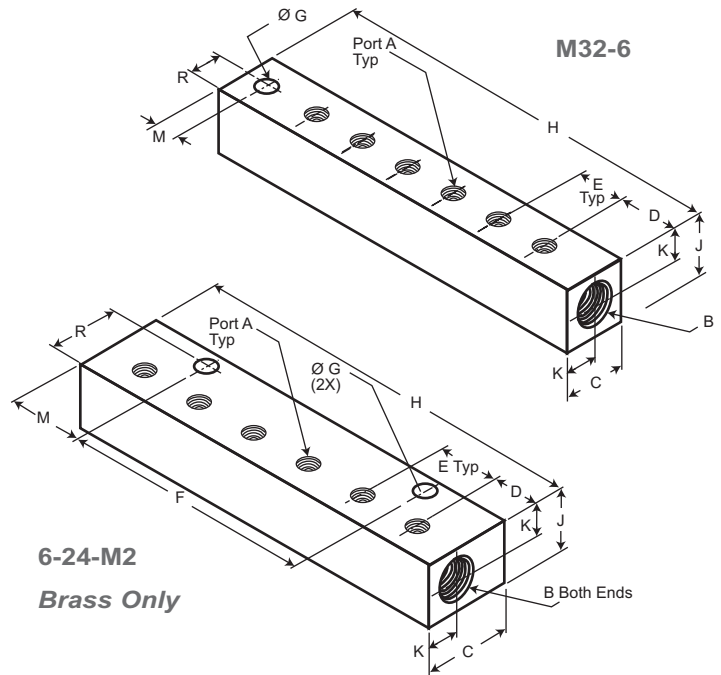


- 10-32 output ports
- 3 Porting configurations
- Convenient junction point
- Multiple branches
- One input

Inline Manifolds

Port Options

- Input**
- 1/8 NPT (F)
- Output**
- 10-32 UNF(F)

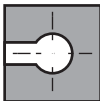


Port Configuration

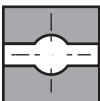
Cross Section

Part Number

M32-*



MS32-*



MT32-*



Product Information

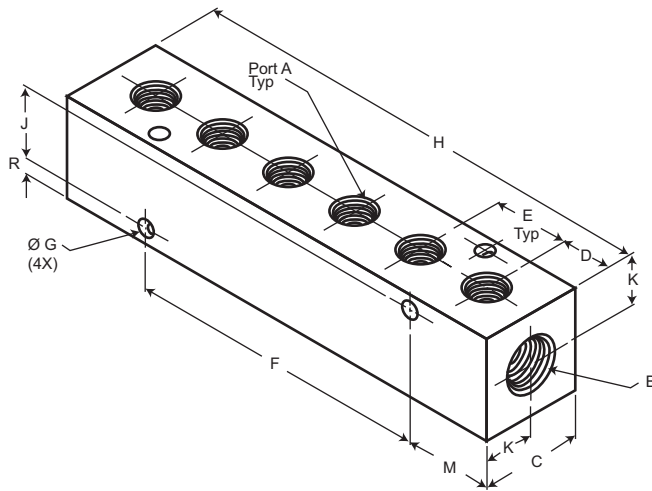
1/8 NPT (F) Input x 10-32 (F) Output

Part Number	No. of Stations	A	NPT B	C	D	E	F	G	H	J	K	M	R
6-24-M2	6	10-32	1/8	.88	.44	.63	2.50	.20	4.00	.63	.32	.75	.72
Porting on one side													
M32-4	4	10-32	1/8	.625	.75	.50	-	.22	3.00	.62	.31	.25	.31
M32-6	6	10-32	1/8	.625	.75	.50	-	.22	4.00	.62	.31	.25	.31
M32-8	8	10-32	1/8	.625	.75	.50	-	.22	5.00	.62	.31	.25	.31
M32-10	10	10-32	1/8	.625	.75	.50	-	.22	6.00	.62	.31	.25	.31
Porting on two sides													
MS32-4	8	10-32	1/8	.625	.75	.50	-	.22	3.00	.62	.31	.25	.31
MS32-6	12	10-32	1/8	.625	.75	.50	-	.22	4.00	.62	.31	.25	.31
MS32-8	16	10-32	1/8	.625	.75	.50	-	.22	5.00	.62	.31	.25	.31
MS32-10	20	10-32	1/8	.625	.75	.50	-	.22	6.00	.62	.31	.25	.31
Porting on three sides													
MT32-4	12	10-32	1/8	.625	.75	.50	-	.22	3.00	.62	.31	.25	.31
MT32-6	18	10-32	1/8	.625	.75	.50	-	.22	4.00	.62	.31	.25	.31
MT32-8	24	10-32	1/8	.625	.75	.50	-	.22	5.00	.62	.31	.25	.31
MT32-10	30	10-32	1/8	.625	.75	.50	-	.22	6.00	.62	.31	.25	.31

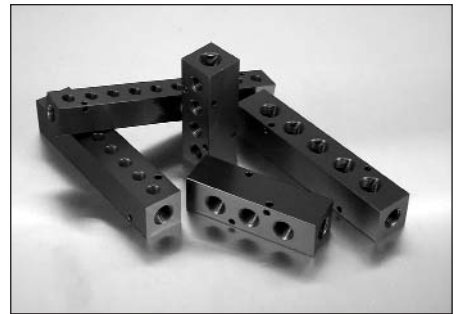
All measurements are given in inches unless otherwise specified.

- When design makes a dimension critical- contact factory for confirmation. All dimensions shown subject to change without notice.

Inline Manifolds



- Port Options**
- Input**
- 1/4 NPT (F)
 - 3/8 NPT (F)
- Output**
- 1/8 NPT (F)



- Convenient junction point
- Multiple branches
- Two input ports
- Aluminum with black anodizing for corrosion resistance and appearance
- Mounting versatility

Product Information

1/4 NPT (F) Input x 1/8 NPT (F) Output

Part Number	No. of Stations	A	B	C	D	E	F	G	H	J	K	M	R
M10-125-2	2	1/8	1/4	1.00	.50	.75	N/A	.17	1.75	.70	.50	.88	.15
M10-125-3	3	1/8	1/4	1.00	.50	.75	.75	.17	2.50	.70	.50	.88	.15
M10-125-4	4	1/8	1/4	1.00	.50	.75	1.50	.17	3.25	.70	.50	.88	.15
M10-125-5	5	1/8	1/4	1.00	.50	.75	2.25	.17	4.00	.70	.50	.88	.15
M10-125-6	6	1/8	1/4	1.00	.50	.75	3.00	.17	4.75	.70	.50	.88	.15
M10-125-7	7	1/8	1/4	1.00	.50	.75	3.75	.17	5.50	.70	.50	.88	.15
M10-125-8	8	1/8	1/4	1.00	.50	.75	4.50	.17	6.25	.70	.50	.88	.15
M10-125-9	9	1/8	1/4	1.00	.50	.75	5.25	.17	7.00	.70	.50	.88	.15
M10-125-10	10	1/8	1/4	1.00	.50	.75	6.00	.17	7.75	.70	.50	.88	.15

3/8 NPT (F) Input x 1/8 NPT (F) Output

Part Number	No. of Stations	A	B	C	D	E	F	G	H	J	K	M	R
M20-125-2	2	1/8	3/8	1.25	.50	.75	3.00	.20	1.75	.89	.63	.88	.18
M20-125-3	3	1/8	3/8	1.25	.50	.75	3.00	.20	2.50	.89	.63	.88	.18
M20-125-4	4	1/8	3/8	1.25	.50	.75	1.50	.20	3.25	.89	.63	.88	.18
M20-125-5	5	1/8	3/8	1.25	.50	.75	3.00	.20	4.00	.89	.63	.88	.18
M20-125-6	6	1/8	3/8	1.25	.50	.75	3.00	.20	4.75	.89	.63	.88	.18
M20-125-7	7	1/8	3/8	1.25	.50	.75	3.00	.20	5.50	.89	.63	.88	.18
M20-125-8	8	1/8	3/8	1.25	.50	.75	4.50	.20	6.25	.89	.63	.88	.18
M20-125-9	9	1/8	3/8	1.25	.50	.75	3.00	.20	7.00	.89	.63	.88	.18
M20-125-10	10	1/8	3/8	1.25	.50	.75	6.00	.20	7.75	.89	.63	.88	.18

● Measurements in inches

● When design makes a dimension critical- contact factory for confirmation. All dimensions shown subject to change without notice.

Push-to-Connect fittings (sold separately) simplify tube installation



Pneumadyne offers a wide selection of pneumatic components ideal for use on our multiple connection manifolds

Inline Manifolds

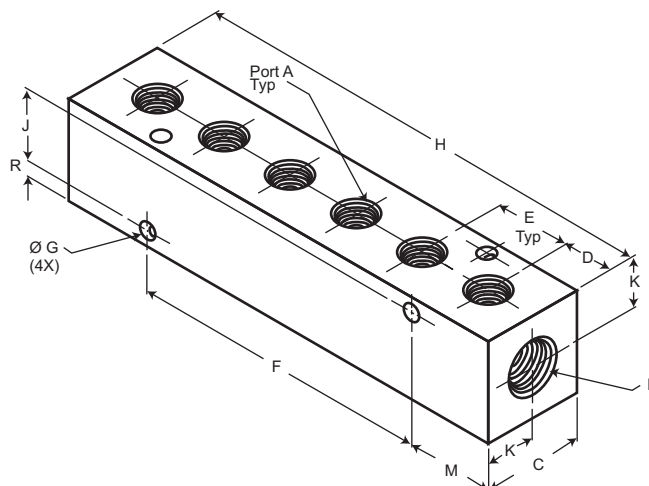
Port Options

Input

- 3/8 NPT (F)

Output

- 1/4 NPT (F)
- 3/8 NPT (F)



Product Information

3/8 NPT (F) Input x 1/4 NPT (F) Output

Part Number	*	NPT		C	D	E	F	G	H	J	K	M	R
		A	B										
M20-250-2	2	1/4	3/8	1.25	.63	.88	N/A	.20	2.13	.89	.63	1.06	.18
M20-250-3	3	1/4	3/8	1.25	.63	.88	.88	.20	3.00	.89	.63	1.06	.18
M20-250-4	4	1/4	3/8	1.25	.63	.88	1.75	.20	3.88	.89	.63	1.06	.18
M20-250-5	5	1/4	3/8	1.25	.63	.88	2.63	.20	4.75	.89	.63	1.06	.18
M20-250-6	6	1/4	3/8	1.25	.63	.88	3.50	.20	5.63	.89	.63	1.06	.18
M20-250-7	7	1/4	3/8	1.25	.63	.88	4.38	.20	6.50	.89	.63	1.06	.18
M20-250-8	8	1/4	3/8	1.25	.63	.88	5.25	.20	7.38	.89	.63	1.06	.18
M20-250-9	9	1/4	3/8	1.25	.63	.88	6.13	.20	8.25	.89	.63	1.06	.18
M20-250-10	10	1/4	3/8	1.25	.63	.88	7.00	.20	9.13	.89	.63	1.06	.18

3/8 NPT (F) Input x 3/8 NPT (F) Output

Part Number	*	NPT		C	D	E	F	G	H	J	K	M	R
		A	B										
M20-375-2	2	3/8	3/8	1.25	1.00	1.13	N/A	.20	3.13	.89	.63	1.56	.18
M20-375-3	3	3/8	3/8	1.25	1.00	1.13	1.13	.20	4.25	.89	.63	1.56	.18
M20-375-4	4	3/8	3/8	1.25	1.00	1.13	2.25	.20	5.38	.89	.63	1.56	.18
M20-375-5	5	3/8	3/8	1.25	1.00	1.13	3.38	.20	6.50	.89	.63	1.56	.18
M20-375-6	6	3/8	3/8	1.25	1.00	1.13	4.50	.20	7.63	.89	.63	1.56	.18
M20-375-7	7	3/8	3/8	1.25	1.00	1.13	5.63	.20	8.75	.89	.63	1.56	.18
M20-375-8	8	3/8	3/8	1.25	1.00	1.13	6.75	.20	9.88	.89	.63	1.56	.18
M20-375-9	9	3/8	3/8	1.25	1.00	1.13	7.88	.20	11.00	.89	.63	1.56	.18
M20-375-10	10	3/8	3/8	1.25	1.00	1.13	9.00	.20	12.13	.89	.63	1.56	.18

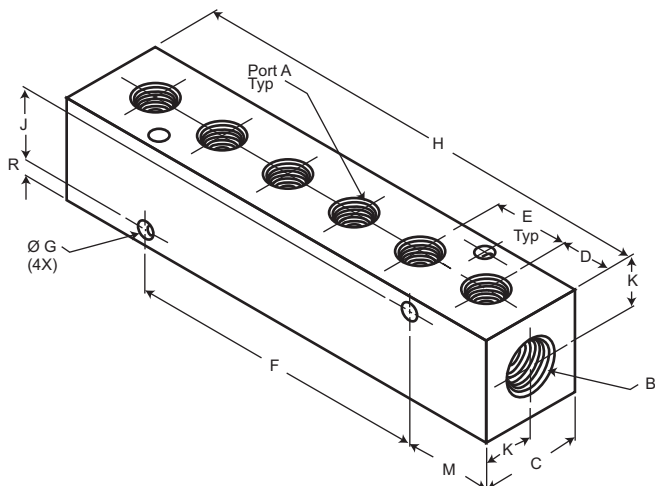


System 11 is a unique valve consolidation method using custom manifolds that house components for use only on System 11 manifolds
[\(Click for additional information\)](#)

● When design makes a dimension critical- contact factory for confirmation. All dimensions shown subject to change without notice.

- * Number of stations
- Measurements in inches

Inline Manifolds



Port Options

Input

- 1/2 NPT (F)

Output

- 1/4 NPT (F)
- 3/8 NPT (F)

Bookmark
pneumadyne.com

for
standard and new product
information and useful
links

- Download 3D CAD drawings
- View detailed product information
- See 'What's New'
- Review industry related solutions
- Request technical support



Product Information

1/2 NPT (F) Input x 1/4 NPT (F) Output

Part Number	*	NPT		C	D	E	F	G	H	J	K	M	R
		A	B										
M30-250-2	2	1/4	1/2	1.50	.88	1.00	N/A	.20	2.75	1.12	.75	1.38	.19
M30-250-3	3	1/4	1/2	1.50	.88	1.00	1.00	.20	3.75	1.12	.75	1.38	.19
M30-250-4	4	1/4	1/2	1.50	.88	1.00	2.00	.20	4.75	1.12	.75	1.38	.19
M30-250-5	5	1/4	1/2	1.50	.88	1.00	3.00	.20	5.75	1.12	.75	1.38	.19
M30-250-6	6	1/4	1/2	1.50	.88	1.00	4.00	.20	6.75	1.12	.75	1.38	.19
M30-250-7	7	1/4	1/2	1.50	.88	1.00	5.00	.20	7.75	1.12	.75	1.38	.19
M30-250-8	8	1/4	1/2	1.50	.88	1.00	6.00	.20	8.75	1.12	.75	1.38	.19
M30-250-9	9	1/4	1/2	1.50	.88	1.00	7.00	.20	9.75	1.12	.75	1.38	.19
M30-250-10	10	1/4	1/2	1.50	.88	1.00	8.00	.20	10.75	1.12	.75	1.38	.19

1/2 NPT (F) Input x 3/8 NPT (F) Output

Part Number	*	NPT		C	D	E	F	G	H	J	K	M	R
		A	B										
M30-375-2	2	3/8	1/2	1.50	.88	1.00	N/A	.20	2.75	1.12	.75	1.38	.19
M30-375-3	3	3/8	1/2	1.50	.88	1.00	1.00	.20	3.75	1.12	.75	1.38	.19
M30-375-4	4	3/8	1/2	1.50	.88	1.00	2.00	.20	4.75	1.12	.75	1.38	.19
M30-375-5	5	3/8	1/2	1.50	.88	1.00	3.00	.20	5.75	1.12	.75	1.38	.19
M30-375-6	6	3/8	1/2	1.50	.88	1.00	4.00	.20	6.75	1.12	.75	1.38	.19
M30-375-7	7	3/8	1/2	1.50	.88	1.00	5.00	.20	7.75	1.12	.75	1.38	.19
M30-375-8	8	3/8	1/2	1.50	.88	1.00	6.00	.20	8.75	1.12	.75	1.38	.19
M30-375-9	9	3/8	1/2	1.50	.88	1.00	7.00	.20	9.75	1.12	.75	1.38	.19
M30-375-10	10	3/8	1/2	1.50	.88	1.00	8.00	.20	10.75	1.12	.75	1.38	.19

* Number of stations

- Measurements in inches

Pneumadyne has been an innovator in the design and manufacture of manifolds since 1976

- When design makes a dimension critical- contact factory for confirmation. All dimensions shown subject to change without notice.



Stainless steel manifolds are ideal for use in highly corrosive environments

Inline Manifolds

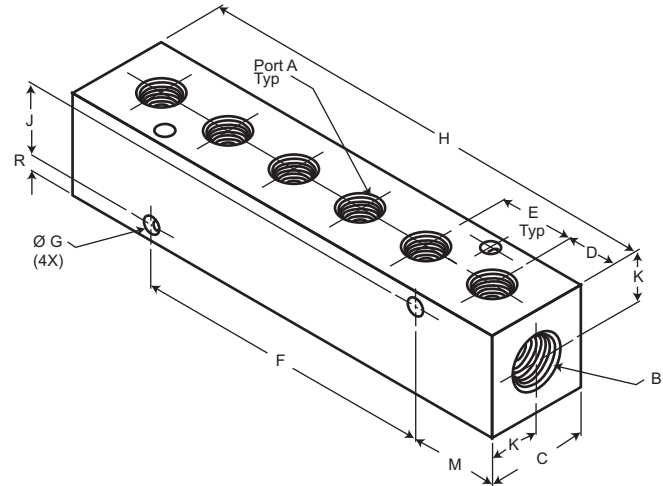
Port Options

Input

- 3/4 NPT (F)

Output

- 1/4 NPT (F)
- 3/8 NPT (F)



Product Information

3/4 NPT (F) Input x 1/4 NPT (F) Output

Part Number	*	NPT		C	D	E	F	G	H	J	K	M	R
		A	B										
M35-250-2	2	1/4	3/4	1.50	1.75	0.88	1.88	.20	4.38	1.14	.75	1.25	.18
M35-250-3	3	1/4	3/4	1.50	1.75	0.88	2.75	.20	5.25	1.14	.75	1.25	.18
M35-250-4	4	1/4	3/4	1.50	1.75	0.88	3.63	.20	6.13	1.14	.75	1.25	.18
M35-250-5	5	1/4	3/4	1.50	1.75	0.88	4.50	.20	7.00	1.14	.75	1.25	.18
M35-250-6	6	1/4	3/4	1.50	1.75	0.88	5.38	.20	7.88	1.14	.75	1.25	.18
M35-250-7	7	1/4	3/4	1.50	1.75	0.88	6.25	.20	8.75	1.14	.75	1.25	.18
M35-250-8	8	1/4	3/4	1.50	1.75	0.88	7.13	.20	9.63	1.14	.75	1.25	.18
M35-250-9	9	1/4	3/4	1.50	1.75	0.88	8.00	.20	10.50	1.14	.75	1.25	.18
M35-250-10	10	1/4	3/4	1.50	1.75	0.88	8.88	.20	11.38	1.14	.75	1.25	.18

3/4 NPT (F) Input x 3/8 NPT (F) Output

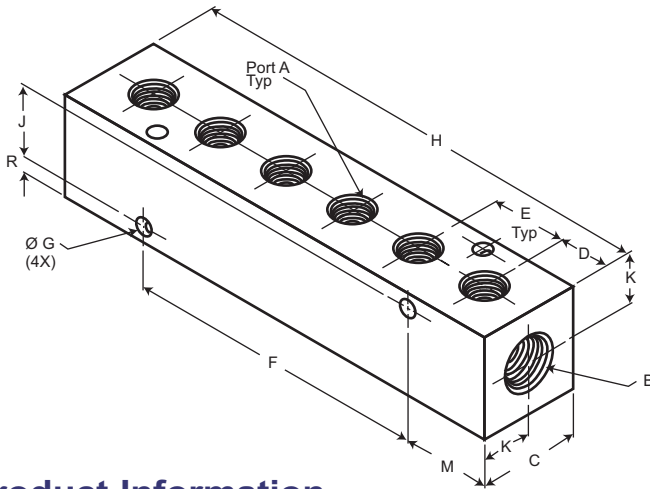
Part Number	*	NPT		C	D	E	F	G	H	J	K	M	R
		A	B										
M35-375-2	2	3/8	3/4	1.50	1.75	1.13	2.13	.20	4.63	1.14	.75	1.25	.18
M35-375-3	3	3/8	3/4	1.50	1.75	1.13	3.25	.20	5.75	1.14	.75	1.25	.18
M35-375-4	4	3/8	3/4	1.50	1.75	1.13	4.38	.20	6.88	1.14	.75	1.25	.18
M35-375-5	5	3/8	3/4	1.50	1.75	1.13	5.50	.20	8.00	1.14	.75	1.25	.18
M35-375-6	6	3/8	3/4	1.50	1.75	1.13	6.63	.20	9.13	1.14	.75	1.25	.18
M35-375-7	7	3/8	3/4	1.50	1.75	1.13	7.75	.20	10.25	1.14	.75	1.25	.18
M35-375-8	8	3/8	3/4	1.50	1.75	1.13	8.88	.20	11.38	1.14	.75	1.25	.18
M35-375-9	9	3/8	3/4	1.50	1.75	1.13	10.00	.20	12.50	1.14	.75	1.25	.18
M35-375-10	10	3/8	3/4	1.50	1.75	0.88	11.13	.20	13.63	1.14	.75	1.25	.18

* Number of stations

● Measurements in inches

● When design makes a dimension critical- contact factory for confirmation. All dimensions shown subject to change without notice.

Inline Manifolds-New Materials



- Port Options**
- Input**
- 1/4 NPT (F)
 - 3/8 NPT (F)
- Output**
- 1/8 NPT (F)
 - 1/4 NPT (F)



- 2 to 10 stations
- Two input ports
- Convenient junction point
- Variety of port sizes

Product Information

1/4 NPT (F) Input x 1/8 NPT (F) Output

Part Number	No. of Stations	A	NPT B	C	D	E	F	G	H	J	K	M	R
M10-125-2*	2	1/8	1/4	1.00	.50	.75	N/A	.17	1.75	.70	.50	.88	.15
M10-125-3*	3	1/8	1/4	1.00	.50	.75	.75	.17	2.50	.70	.50	.88	.15
M10-125-4*	4	1/8	1/4	1.00	.50	.75	1.50	.17	3.25	.70	.50	.88	.15
M10-125-5*	5	1/8	1/4	1.00	.50	.75	2.25	.17	4.00	.70	.50	.88	.15
M10-125-6*	6	1/8	1/4	1.00	.50	.75	3.00	.17	4.75	.70	.50	.88	.15
M10-125-7*	7	1/8	1/4	1.00	.50	.75	3.75	.17	5.50	.70	.50	.88	.15
M10-125-8*	8	1/8	1/4	1.00	.50	.75	4.50	.17	6.25	.70	.50	.88	.15
M10-125-9*	9	1/8	1/4	1.00	.50	.75	5.25	.17	7.00	.70	.50	.88	.15
M10-125-10*	10	1/8	1/4	1.00	.50	.75	6.00	.17	7.75	.70	.50	.88	.15

3/8 NPT (F) Input x 1/4 NPT (F) Output

Part Number	*	A	NPT B	C	D	E	F	G	H	J	K	M	R
M20-250-2*	2	1/4	3/8	1.25	.63	.88	N/A	.20	2.13	.89	.63	1.06	.18
M20-250-3*	3	1/4	3/8	1.25	.63	.88	.88	.20	3.00	.89	.63	1.06	.18
M20-250-4*	4	1/4	3/8	1.25	.63	.88	1.75	.20	3.88	.89	.63	1.06	.18
M20-250-5*	5	1/4	3/8	1.25	.63	.88	2.63	.20	4.75	.89	.63	1.06	.18
M20-250-6*	6	1/4	3/8	1.25	.63	.88	3.50	.20	5.63	.89	.63	1.06	.18
M20-250-7*	7	1/4	3/8	1.25	.63	.88	4.38	.20	6.50	.89	.63	1.06	.18
M20-250-8*	8	1/4	3/8	1.25	.63	.88	5.25	.20	7.38	.89	.63	1.06	.18
M20-250-9*	9	1/4	3/8	1.25	.63	.88	6.13	.20	8.25	.89	.63	1.06	.18
M20-250-10*	10	1/4	3/8	1.25	.63	.88	7.00	.20	9.13	.89	.63	1.06	.18

* Number of stations
 ● Measurements in inches
 ● When design makes a dimension critical- contact factory for confirmation. All dimensions shown subject to change without notice.

New Manifold Material

Pneumadyne's Inline Manifolds are now available in 303 Stainless Steel, Brass, Polypropylene and Nylon. The Brass and Stainless Steel manifolds are extremely durable and offered for use with air, water and hydraulic oils. Stainless Steel is also ideal for highly corrosive environments. Choose Polypropylene or Nylon when using air, water or other compatible media in lower pressure applications.

Two to 10 station manifolds are available with 1/4 or 3/8 NPT (F) input ports and 1/8 or 1/4 NPT (F) output ports. Simply thread fittings into the ports to produce an organized method of supplying multiple lines from a single source.

Ordering Information

- To order New Material Manifolds replace the "*" in the Product Information listing with the desired material abbreviation.

SS= 303 Stainless Steel
 BRS= Brass
 NYN= Nylon
 PPN= Polypropylene



- Output port spacing is 1.5" center-to-center
- 2 to 10 stations
- Mounting versatility

Inline Manifolds- 1.5" Spacing

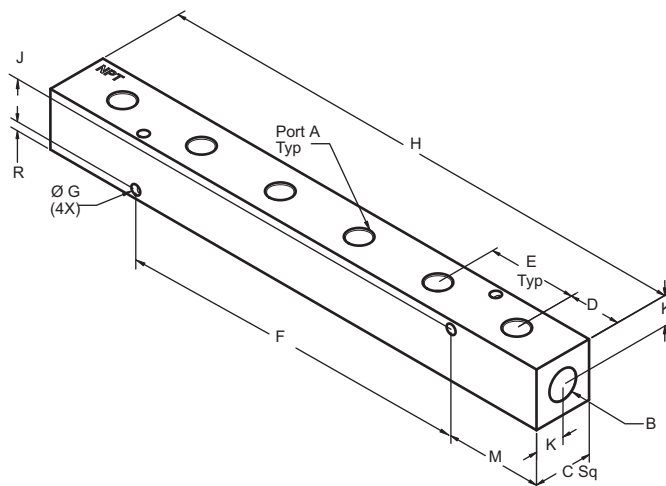
Port Options

Input

- 1/4 NPT (F)
- 3/8 NPT (F)
- 1/2 NPT (F)

Output

- 1/8 NPT (F)
- 1/4 NPT (F)
- 3/8 NPT (F)



Product Information

1/4 NPT (F) Input x 1/8 NPT (F) Output

Part Number	*	NPT		C	D	E	F	G	H	J	K	M	R
		A	B										
M10-125-2W	2	1/8	1/4	1.00	.88	1.50	N/A	.17	3.25	.70	.50	1.63	.15
M10-125-3W	3	1/8	1/4	1.00	.88	1.50	1.50	.17	4.75	.70	.50	1.63	.15
M10-125-4W	4	1/8	1/4	1.00	.88	1.50	3.00	.17	6.25	.70	.50	1.63	.15
M10-125-5W	5	1/8	1/4	1.00	.88	1.50	4.50	.17	7.75	.70	.50	1.63	.15
M10-125-6W	6	1/8	1/4	1.00	.88	1.50	6.00	.17	9.25	.70	.50	1.63	.15
M10-125-7W	7	1/8	1/4	1.00	.88	1.50	7.50	.17	10.75	.70	.50	1.63	.15
M10-125-8W	8	1/8	1/4	1.00	.88	1.50	9.00	.17	12.25	.70	.50	1.63	.15
M10-125-9W	9	1/8	1/4	1.00	.88	1.50	1.50	.17	13.75	.70	.50	1.63	.15
M10-125-10W	10	1/8	1/4	1.00	.88	1.50	12.00	.17	15.25	.70	.50	1.63	.15

3/8 NPT (F) Input x 1/8 NPT (F) Output

Part Number	*	NPT		C	D	E	F	G	H	J	K	M	R
		A	B										
M20-125-2W	2	1/8	3/8	1.25	.88	1.50	N/A	.20	3.25	.89	.63	1.63	.18
M20-125-3W	3	1/8	3/8	1.25	.88	1.50	1.50	.20	4.75	.89	.63	1.63	.18
M20-125-4W	4	1/8	3/8	1.25	.88	1.50	3.00	.20	6.25	.89	.63	1.63	.18
M20-125-5W	5	1/8	3/8	1.25	.88	1.50	4.50	.20	7.75	.89	.63	1.63	.18
M20-125-6W	6	1/8	3/8	1.25	.88	1.50	6.00	.20	9.25	.89	.63	1.63	.18
M20-125-7W	7	1/8	3/8	1.25	.88	1.50	7.50	.20	10.75	.89	.63	1.63	.18
M20-125-8W	8	1/8	3/8	1.25	.88	1.50	9.00	.20	12.25	.89	.63	1.63	.18
M20-125-9W	9	1/8	3/8	1.25	.88	1.50	1.50	.20	13.75	.89	.63	1.63	.18
M20-125-10W	10	1/8	3/8	1.25	.88	1.50	12.00	.20	15.25	.89	.63	1.63	.18

* Number of stations

- Measurements in inches

● When design makes a dimension critical- contact factory for confirmation. All dimensions shown subject to change without notice.

ISO 9001:2008 certification demonstrates Pneumadyne's commitment to quality -Received in 2004-

Product Information *Inline Manifolds-1.5" Spacing*

3/8 NPT (F) Input x 1/4 NPT (F) Output

Part Number	*	NPT		C	D	E	F	G	H	J	K	M	R
		A	B										
M20-250-2W	2	1/4	3/8	1.25	.88	1.50	N/A	.20	3.25	.89	.63	1.63	.18
M20-250-3W	3	1/4	3/8	1.25	.88	1.50	1.50	.20	4.75	.89	.63	1.63	.18
M20-250-4W	4	1/4	3/8	1.25	.88	1.50	3.00	.20	6.25	.89	.63	1.63	.18
M20-250-5W	5	1/4	3/8	1.25	.88	1.50	4.50	.20	7.75	.89	.63	1.63	.18
M20-250-6W	6	1/4	3/8	1.25	.88	1.50	6.00	.20	9.25	.89	.63	1.63	.18
M20-250-7W	7	1/4	3/8	1.25	.88	1.50	7.50	.20	10.75	.89	.63	1.63	.18
M20-250-8W	8	1/4	3/8	1.25	.88	1.50	9.00	.20	12.25	.89	.63	1.63	.18
M20-250-9W	9	1/4	3/8	1.25	.88	1.50	1.50	.20	13.75	.89	.63	1.63	.18
M20-250-10W	10	1/4	3/8	1.25	.88	1.50	12.00	.20	15.25	.89	.63	1.63	.18

1/2 NPT (F) Input x 1/4 NPT (F) Output

Part Number	*	NPT		C	D	E	F	G	H	J	K	M	R
		A	B										
M30-250-2W	2	1/4	1/2	1.50	.88	1.50	N/A	.20	3.25	1.12	.75	1.63	.19
M30-250-3W	3	1/4	1/2	1.50	.88	1.50	1.50	.20	4.75	1.12	.75	1.63	.19
M30-250-4W	4	1/4	1/2	1.50	.88	1.50	3.00	.20	6.25	1.12	.75	1.63	.19
M30-250-5W	5	1/4	1/2	1.50	.88	1.50	4.50	.20	7.75	1.12	.75	1.63	.19
M30-250-6W	6	1/4	1/2	1.50	.88	1.50	6.00	.20	9.25	1.12	.75	1.63	.19
M30-250-7W	7	1/4	1/2	1.50	.88	1.50	7.50	.20	10.75	1.12	.75	1.63	.19
M30-250-8W	8	1/4	1/2	1.50	.88	1.50	9.00	.20	12.25	1.12	.75	1.63	.19
M30-250-9W	9	1/4	1/2	1.50	.88	1.50	1.50	.20	13.75	1.12	.75	1.63	.19
M30-250-10W	10	1/4	1/2	1.50	.88	1.50	12.00	.20	15.25	1.12	.75	1.63	.19

1/2 NPT (F) Input x 3/8 NPT (F) Output

Part Number	*	NPT		C	D	E	F	G	H	J	K	M	R
		A	B										
M30-375-2W	2	3/8	1/2	1.50	.88	1.50	N/A	.20	3.25	1.12	.75	1.63	.19
M30-375-3W	3	3/8	1/2	1.50	.88	1.50	1.50	.20	4.75	1.12	.75	1.63	.19
M30-375-4W	4	3/8	1/2	1.50	.88	1.50	3.00	.20	6.25	1.12	.75	1.63	.19
M30-375-5W	5	3/8	1/2	1.50	.88	1.50	4.50	.20	7.75	1.12	.75	1.63	.19
M30-375-6W	6	3/8	1/2	1.50	.88	1.50	6.00	.20	9.25	1.12	.75	1.63	.19
M30-375-7W	7	3/8	1/2	1.50	.88	1.50	7.50	.20	10.75	1.12	.75	1.63	.19
M30-375-8W	8	3/8	1/2	1.50	.88	1.50	9.00	.20	12.25	1.12	.75	1.63	.19
M30-375-9W	9	3/8	1/2	1.50	.88	1.50	1.50	.20	13.75	1.12	.75	1.63	.19
M30-375-10W	10	3/8	1/2	1.50	.88	1.50	12.00	.20	15.25	1.12	.75	1.63	.19

* Number of stations
 ● Measurements in inches



1/2 NPT (F) input porting available to allow for greater flow

Over 30 colors of anodic coatings are available



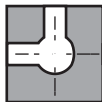
- Output ports at 90° for plumbing convenience
- 2 to 10 Stations
- Two input ports
- Aluminum with black anodize for corrosion and wear resistance

Port Configuration

Cross Section

Inline Manifold

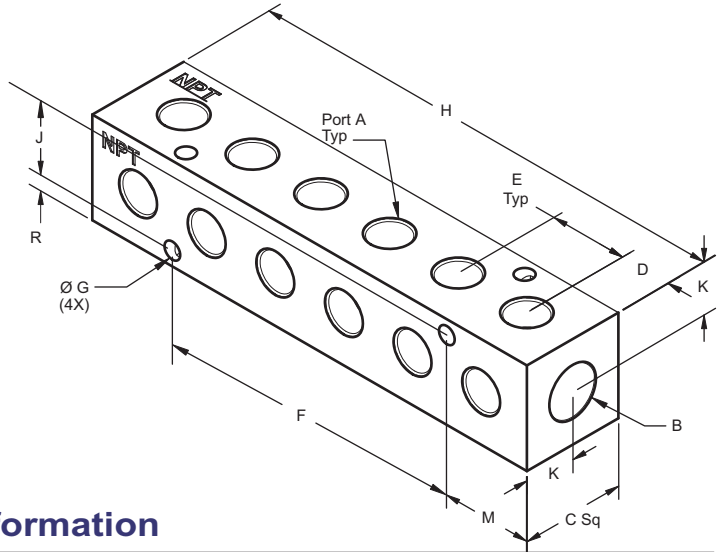
90° Manifold



90° Manifolds

Port Options

- Input**
- 1/4 NPT (F)
 - 3/8 NPT (F)
 - 1/2 NPT (F)
- Output**
- 1/8 NPT (F)
 - 1/4 NPT (F)
 - 3/8 NPT (F)



Product Information

1/4 NPT (F) Input x 1/8 NPT (F) Output

Part Number	*	NPT		C	D	E	F	G	H	J	K	M	R
		A	B										
M10-125-2-90	2	1/8	1/4	1.00	.50	.75	N/A	.17	1.75	.70	.50	0.88	.15
M10-125-3-90	3	1/8	1/4	1.00	.50	.75	.75	.17	2.50	.70	.50	0.88	.15
M10-125-4-90	4	1/8	1/4	1.00	.50	.75	1.50	.17	3.25	.70	.50	0.88	.15
M10-125-5-90	5	1/8	1/4	1.00	.50	.75	2.25	.17	4.00	.70	.50	0.88	.15
M10-125-6-90	6	1/8	1/4	1.00	.50	.75	3.00	.17	4.75	.70	.50	0.88	.15
M10-125-7-90	7	1/8	1/4	1.00	.50	.75	3.75	.17	5.50	.70	.50	0.88	.15
M10-125-8-90	8	1/8	1/4	1.00	.50	.75	4.50	.17	6.25	.70	.50	0.88	.15
M10-125-9-90	9	1/8	1/4	1.00	.50	.75	5.25	.17	7.00	.70	.50	0.88	.15
M10-125-10-90	10	1/8	1/4	1.00	.50	.75	6.00	.17	7.75	.70	.50	0.88	.15

3/8 NPT (F) Input x 1/8 NPT (F) Output

Part Number	*	NPT		C	D	E	F	G	H	J	K	M	R
		A	B										
M20-125-2-90	2	1/8	3/8	1.25	.50	.75	N/A	.20	1.75	.89	.63	0.88	.18
M20-125-3-90	3	1/8	3/8	1.25	.50	.75	.75	.20	2.50	.89	.63	0.88	.18
M20-125-4-90	4	1/8	3/8	1.25	.50	.75	1.50	.20	3.25	.89	.63	0.88	.18
M20-125-5-90	5	1/8	3/8	1.25	.50	.75	2.25	.20	4.00	.89	.63	0.88	.18
M20-125-6-90	6	1/8	3/8	1.25	.50	.75	3.00	.20	4.75	.89	.63	0.88	.18
M20-125-7-90	7	1/8	3/8	1.25	.50	.75	3.75	.20	5.50	.89	.63	0.88	.18
M20-125-8-90	8	1/8	3/8	1.25	.50	.75	4.50	.20	6.25	.89	.63	0.88	.18
M20-125-9-90	9	1/8	3/8	1.25	.50	.75	5.25	.20	7.00	.89	.63	0.88	.18
M20-125-10-90	10	1/8	3/8	1.25	.50	.75	6.00	.20	7.75	.89	.63	0.88	.18

* Number of stations

- Measurements in inches

● When design makes a dimension critical- contact factory for confirmation. All dimensions shown subject to change without notice.

Product Information- 90° Manifolds

3/8 NPT (F) Input x 1/4 NPT (F) Output

Part Number	*	NPT		C	D	E	F	G	H	J	K	M	R
		A	B										
M20-250-2-90	2	1/4	3/8	1.25	.63	.88	N/A	.20	2.13	.89	.63	1.06	.18
M20-250-3-90	3	1/4	3/8	1.25	.63	.88	.87	.20	3.00	.89	.63	1.06	.18
M20-250-4-90	4	1/4	3/8	1.25	.63	.88	1.75	.20	3.88	.89	.63	1.06	.18
M20-250-5-90	5	1/4	3/8	1.25	.63	.88	2.62	.20	4.75	.89	.63	1.06	.18
M20-250-6-90	6	1/4	3/8	1.25	.63	.88	3.50	.20	5.63	.89	.63	1.06	.18
M20-250-7-90	7	1/4	3/8	1.25	.63	.88	4.37	.20	6.50	.89	.63	1.06	.18
M20-250-8-90	8	1/4	3/8	1.25	.63	.88	5.25	.20	7.38	.89	.63	1.06	.18
M20-250-9-90	9	1/4	3/8	1.25	.63	.88	6.12	.20	8.25	.89	.63	1.06	.18
M20-250-10-90	10	1/4	3/8	1.25	.63	.88	7.00	.20	9.13	.89	.63	1.06	.18

1/2 NPT (F) Input x 1/4 NPT (F) Output

Part Number	*	NPT		C	D	E	F	G	H	J	K	M	R
		A	B										
M30-250-2-90	2	1/4	1/2	1.50	.88	1.00	N/A	.20	2.75	1.12	.75	1.38	.19
M30-250-3-90	3	1/4	1/2	1.50	.88	1.00	1.00	.20	3.75	1.12	.75	1.38	.19
M30-250-4-90	4	1/4	1/2	1.50	.88	1.00	2.00	.20	4.75	1.12	.75	1.38	.19
M30-250-5-90	5	1/4	1/2	1.50	.88	1.00	3.00	.20	5.75	1.12	.75	1.38	.19
M30-250-6-90	6	1/4	1/2	1.50	.88	1.00	4.00	.20	6.75	1.12	.75	1.38	.19
M30-250-7-90	7	1/4	1/2	1.50	.88	1.00	5.00	.20	7.75	1.12	.75	1.38	.19
M30-250-8-90	8	1/4	1/2	1.50	.88	1.00	6.00	.20	8.75	1.12	.75	1.38	.19
M30-250-9-90	9	1/4	1/2	1.50	.88	1.00	7.00	.20	9.75	1.12	.75	1.38	.19
M30-250-10-90	10	1/4	1/2	1.50	.88	1.00	8.00	.20	10.75	1.12	.75	1.38	.19

1/2 NPT (F) Input x 3/8 NPT (F) Output

Part Number	*	NPT		C	D	E	F	G	H	J	K	M	R
		A	B										
M30-375-2-90	2	3/8	1/2	1.50	.88	1.00	N/A	.20	2.75	1.12	.75	1.38	.19
M30-375-3-90	3	3/8	1/2	1.50	.88	1.00	1.00	.20	3.75	1.12	.75	1.38	.19
M30-375-4-90	4	3/8	1/2	1.50	.88	1.00	2.00	.20	4.75	1.12	.75	1.38	.19
M30-375-5-90	5	3/8	1/2	1.50	.88	1.00	3.00	.20	5.75	1.12	.75	1.38	.19
M30-375-6-90	6	3/8	1/2	1.50	.88	1.00	4.00	.20	6.75	1.12	.75	1.38	.19
M30-375-7-90	7	3/8	1/2	1.50	.88	1.00	5.00	.20	7.75	1.12	.75	1.38	.19
M30-375-8-90	8	3/8	1/2	1.50	.88	1.00	6.00	.20	8.75	1.12	.75	1.38	.19
M30-375-9-90	9	3/8	1/2	1.50	.88	1.00	7.00	.20	9.75	1.12	.75	1.38	.19
M30-375-10-90	10	3/8	1/2	1.50	.88	1.00	8.00	.20	10.75	1.12	.75	1.38	.19

* Number of stations

● Measurements in inches

● When design makes a dimension critical- contact factory for confirmation. All dimensions shown subject to change without notice.



Contact factory for more information on custom plating or finishes

Several patents have been issued for our robust and unique designs



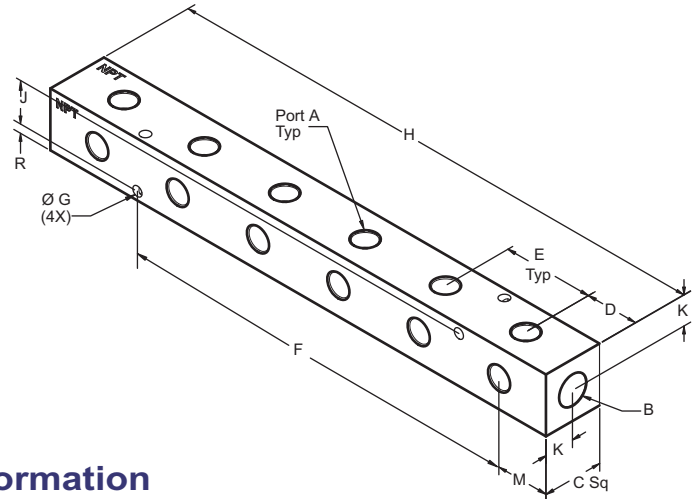
- Output port spacing is 1.5" center-to-center
- 2 to 10 stations
- 1/8, 1/4, 3/8, and 1/2 NPT (F) porting options

***Pneumadyne-
recognized around the
world for designing and
manufacturing high
quality products***

90° Manifolds- 1.5" Spacing

Port Options

- Input**
- 1/4 NPT (F)
 - 3/8 NPT (F)
 - 1/2 NPT (F)
- Output**
- 1/8 NPT (F)
 - 1/4 NPT (F)
 - 3/8 NPT (F)



Product Information

1/4 NPT (F) Input x 1/8 NPT (F) Output

Part Number	*	NPT		C	D	E	F	G	H	J	K	M	R
		A	B										
M10-125-2-90W	2	1/8	1/4	1.00	.88	1.50	N/A	.17	3.25	0.70	.50	1.63	.15
M10-125-3-90W	3	1/8	1/4	1.00	.88	1.50	1.50	.17	4.75	0.70	.50	1.63	.15
M10-125-4-90W	4	1/8	1/4	1.00	.88	1.50	3.00	.17	6.25	0.70	.50	1.63	.15
M10-125-5-90W	5	1/8	1/4	1.00	.88	1.50	4.50	.17	7.75	0.70	.50	1.63	.15
M10-125-6-90W	6	1/8	1/4	1.00	.88	1.50	6.00	.17	9.25	0.70	.50	1.63	.15
M10-125-7-90W	7	1/8	1/4	1.00	.88	1.50	7.50	.17	10.75	0.70	.50	1.63	.15
M10-125-8-90W	8	1/8	1/4	1.00	.88	1.50	9.00	.17	12.25	0.70	.50	1.63	.15
M10-125-9-90W	9	1/8	1/4	1.00	.88	1.50	1.50	.17	13.75	0.70	.50	1.63	.15
M10-125-10-90W	10	1/8	1/4	1.00	.88	1.50	12.00	.17	15.25	0.70	.50	1.63	.15

3/8 NPT (F) Input x 1/8 NPT (F) Output

Part Number	*	NPT		C	D	E	F	G	H	J	K	M	R
		A	B										
M20-125-2-90W	2	1/8	3/8	1.25	.88	1.50	N/A	.20	3.25	0.89	.63	1.63	.18
M20-125-3-90W	3	1/8	3/8	1.25	.88	1.50	1.50	.20	4.75	0.89	.63	1.63	.18
M20-125-4-90W	4	1/8	3/8	1.25	.88	1.50	3.00	.20	6.25	0.89	.63	1.63	.18
M20-125-5-90W	5	1/8	3/8	1.25	.88	1.50	4.50	.20	7.75	0.89	.63	1.63	.18
M20-125-6-90W	6	1/8	3/8	1.25	.88	1.50	6.00	.20	9.25	0.89	.63	1.63	.18
M20-125-7-90W	7	1/8	3/8	1.25	.88	1.50	7.50	.20	10.75	0.89	.63	1.63	.18
M20-125-8-90W	8	1/8	3/8	1.25	.88	1.50	9.00	.20	12.25	0.89	.63	1.63	.18
M20-125-9-90W	9	1/8	3/8	1.25	.88	1.50	1.50	.20	13.75	0.89	.63	1.63	.18
M20-125-10-90W	10	1/8	3/8	1.25	.88	1.50	12.00	.20	15.25	0.89	.63	1.63	.18

- * Number of stations
- Measurements in inches

● When design makes a dimension critical- contact factory for confirmation. All dimensions shown subject to change without notice.

Product Information- 90° Manifolds- 1.5" Spacing

3/8 NPT (F) Input x 1/4 NPT (F) Output

Part Number	*	NPT		C	D	E	F	G	H	J	K	M	R
		A	B										
M20-250-2-90W	2	1/4	3/8	1.25	.88	1.50	N/A	.20	3.25	0.89	.63	1.63	.18
M20-250-3-90W	3	1/4	3/8	1.25	.88	1.50	1.50	.20	4.75	0.89	.63	1.63	.18
M20-250-4-90W	4	1/4	3/8	1.25	.88	1.50	3.00	.20	6.25	0.89	.63	1.63	.18
M20-250-5-90W	5	1/4	3/8	1.25	.88	1.50	4.50	.20	7.75	0.89	.63	1.63	.18
M20-250-6-90W	6	1/4	3/8	1.25	.88	1.50	6.00	.20	9.25	0.89	.63	1.63	.18
M20-250-7-90W	7	1/4	3/8	1.25	.88	1.50	7.50	.20	10.75	0.89	.63	1.63	.18
M20-250-8-90W	8	1/4	3/8	1.25	.88	1.50	9.00	.20	12.25	0.89	.63	1.63	.18
M20-250-9-90W	9	1/4	3/8	1.25	.88	1.50	1.50	.20	13.75	0.89	.63	1.63	.18
M20-250-10-90W	10	1/4	3/8	1.25	.88	1.50	12.00	.20	15.25	0.89	.63	1.63	.18

1/2 NPT (F) Input x 1/4 NPT (F) Output

Part Number	*	NPT		C	D	E	F	G	H	J	K	M	R
		A	B										
M30-250-2-90W	2	1/4	1/2	1.50	.88	1.50	N/A	.20	3.25	1.12	.75	1.63	.19
M30-250-3-90W	3	1/4	1/2	1.50	.88	1.50	1.50	.20	4.75	1.12	.75	1.63	.19
M30-250-4-90W	4	1/4	1/2	1.50	.88	1.50	3.00	.20	6.25	1.12	.75	1.63	.19
M30-250-5-90W	5	1/4	1/2	1.50	.88	1.50	4.50	.20	7.75	1.12	.75	1.63	.19
M30-250-6-90W	6	1/4	1/2	1.50	.88	1.50	6.00	.20	9.25	1.12	.75	1.63	.19
M30-250-7-90W	7	1/4	1/2	1.50	.88	1.50	7.50	.20	10.75	1.12	.75	1.63	.19
M30-250-8-90W	8	1/4	1/2	1.50	.88	1.50	9.00	.20	12.25	1.12	.75	1.63	.19
M30-250-9-90W	9	1/4	1/2	1.50	.88	1.50	1.50	.20	13.75	1.12	.75	1.63	.19
M30-250-10-90W	10	1/4	1/2	1.50	.88	1.50	12.00	.20	15.25	1.12	.75	1.63	.19

1/2 NPT (F) Input x 3/8 NPT (F) Output

Part Number	*	NPT		C	D	E	F	G	H	J	K	M	R
		A	B										
M30-375-2-90W	2	3/8	1/2	1.50	.88	1.50	N/A	.20	2.75	1.12	.75	1.63	.19
M30-375-3-90W	3	3/8	1/2	1.50	.88	1.50	1.50	.20	4.75	1.12	.75	1.63	.19
M30-375-4-90W	4	3/8	1/2	1.50	.88	1.50	3.00	.20	6.25	1.12	.75	1.63	.19
M30-375-5-90W	5	3/8	1/2	1.50	.88	1.50	4.50	.20	7.75	1.12	.75	1.63	.19
M30-375-6-90W	6	3/8	1/2	1.50	.88	1.50	6.00	.20	9.25	1.12	.75	1.63	.19
M30-375-7-90W	7	3/8	1/2	1.50	.88	1.50	7.50	.20	10.75	1.12	.75	1.63	.19
M30-375-8-90W	8	3/8	1/2	1.50	.88	1.50	9.00	.20	12.25	1.12	.75	1.63	.19
M30-375-9-90W	9	3/8	1/2	1.50	.88	1.50	1.50	.20	13.75	1.12	.75	1.63	.19
M30-375-10-90W	10	3/8	1/2	1.50	.88	1.50	12.00	.20	15.25	1.12	.75	1.63	.19

- * Number of stations
- Measurements in inches



90° manifolds with 1.5" spacing provide plumbing convenience and allow for larger control valve installation

Solenoid manifold information can be found in the Solenoid Valves & Accessories section

- When design makes a dimension critical- contact factory for confirmation. All dimensions shown subject to change without notice.

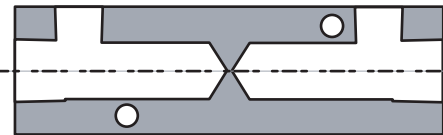


- Two separate manifolds in one block
- Two independent flow paths (ie: pressure one side vacuum on the other)
- Aluminum with black anodizing for corrosion resistance and appearance
- Mounting versatility

Port Configuration

Cross Section
Part Number

DA*-*



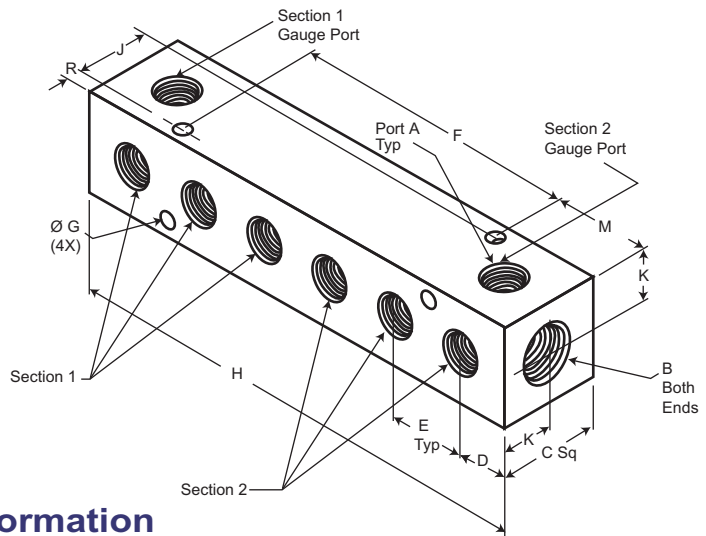
A variety of custom manifolds have been designed by Pneumadyne. Features include:

- 1 Large mounting hole for shaft mounting by set screw
- 2 Junction for eighteen output ports
- 3 Push-to-connect fittings
- 4 Designed to accommodate customer's solenoid valves
- 5 Eliminates the need for **thirty tee fittings**
- 6 Brass manifold
- 7 Accommodates a fifth output port

Dual Air

Port Options

- Input**
- 1/4 NPT (F)
 - 3/8 NPT (F)
- Output**
- 1/8 NPT (F)
 - 1/4 NPT (F)



Product Information

1/4 NPT (F) Input x 1/8 NPT (F) Output

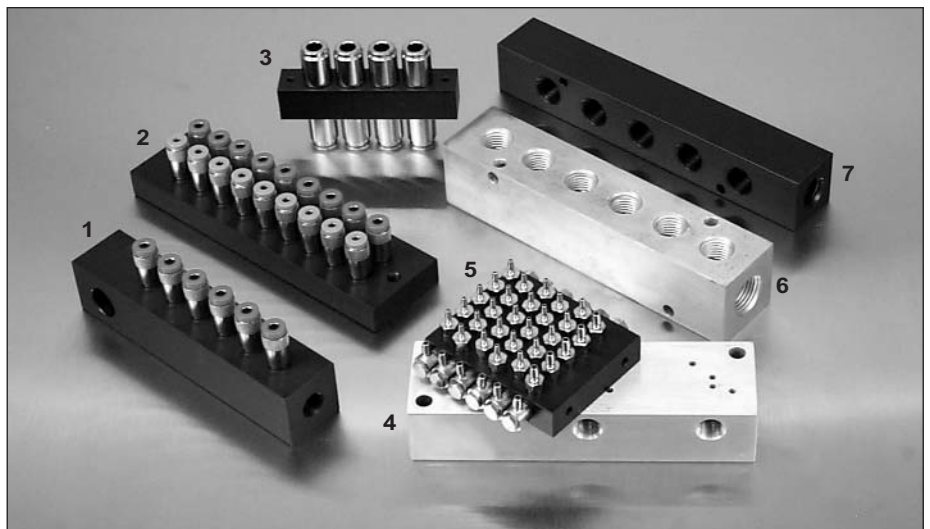
Part Number	Ports per Section	A	B	C	D	E	F	G	H	J	K	M	R
DA10-125-22	2	1/8	1/4	1.00	.50	.75	1.50	.17	3.25	.70	.50	.87	.15
DA10-125-33	3	1/8	1/4	1.00	.50	.75	3.00	.17	4.75	.70	.50	.87	.15
DA10-125-44	4	1/8	1/4	1.00	.50	.75	4.50	.17	6.25	.70	.50	.87	.15
DA10-125-55	5	1/8	1/4	1.00	.50	.75	6.00	.17	7.75	.70	.50	.87	.15

3/8 NPT (F) Input x 1/4 NPT (F) Output

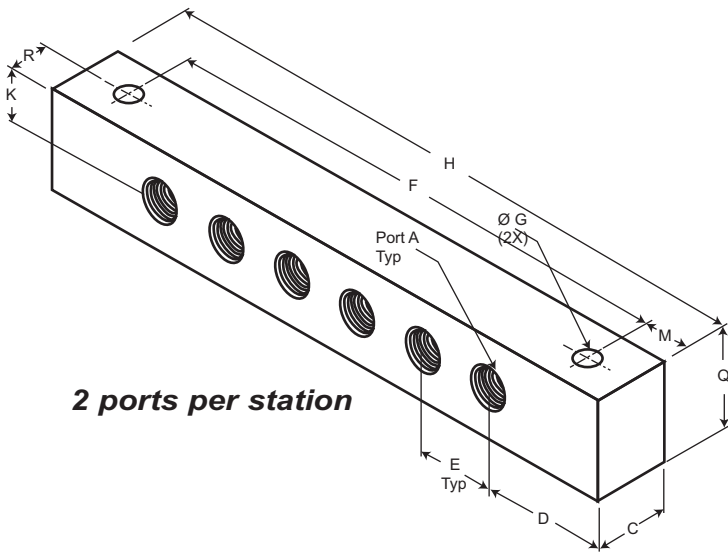
DA20-250-22	2	1/4	3/8	1.25	.62	.87	1.75	.20	3.87	.89	.62	1.06	.18
DA20-250-33	3	1/4	3/8	1.25	.62	.87	3.50	.20	5.62	.89	.62	1.06	.18
DA20-250-44	4	1/4	3/8	1.25	.62	.87	5.25	.20	7.37	.89	.62	1.06	.18
DA20-250-55	5	1/4	3/8	1.25	.62	.87	7.00	.20	9.12	.89	.62	1.06	.18

- Measurements in inches

Custom Products

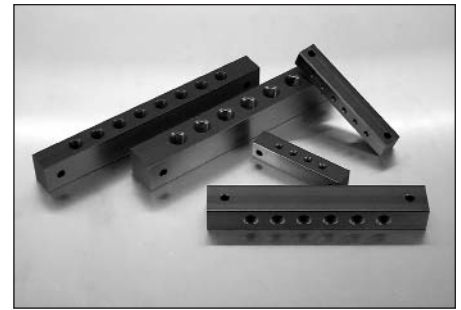


Junction Blocks



Port Options

- 10-32 UNF(F)
- 1/8 NPT (F)
- 1/4 NPT (F)



- Union configuration
- Three available port options 10-32, 1/8 NPT (F), 1/4 NPT (F)
- 4 to 10 stations
- Aluminum with black anodizing for corrosion resistance and appearance

Product Information

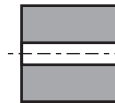
Part Number	No. of Stations	A	C	D	E	F	G	H	K	M	R	Q
JB32-4	4	10-32	.62	.75	.50	2.50	.22	3.00	.31	.25	.31	.62
JB32-6	6	10-32	.62	.75	.50	3.50	.22	4.00	.31	.25	.31	.62
JB32-8	8	10-32	.62	.75	.50	4.50	.22	5.00	.31	.25	.31	.62
JB32-10	10	10-32	.62	.75	.50	5.50	.22	6.00	.31	.25	.31	.62
NPT												
JB125-4	4	1/8	1.00	1.25	.75	3.75	.25	4.75	.37	.50	.50	.75
JB125-6	6	1/8	1.00	1.25	.75	5.25	.25	6.25	.37	.50	.50	.75
JB125-8	8	1/8	1.00	1.25	.75	6.75	.25	7.75	.37	.50	.50	.75
JB125-10	10	1/8	1.00	1.25	.75	8.25	.25	9.25	.37	.50	.50	.75
JB250-4	4	1/4	1.00	1.37	.87	4.37	.25	5.37	.50	.50	.50	1.00
JB250-6	6	1/4	1.00	1.37	.87	6.12	.25	7.12	.50	.50	.50	1.00
JB250-8	8	1/4	1.00	1.37	.87	7.87	.25	8.87	.50	.50	.50	1.00
JB250-10	10	1/4	1.00	1.37	.87	9.62	.25	10.62	.50	.50	.50	1.00

● Measurements in inches

Port Configuration

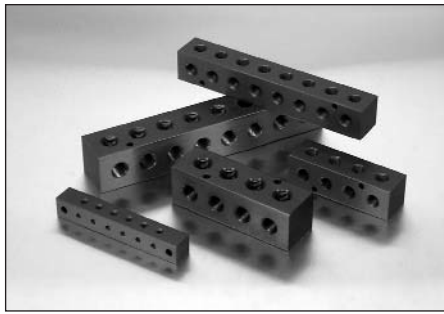
Cross Section

Part Number
JB*-*



We design custom products to meet your application needs

● When design makes a dimension critical- contact factory for confirmation. All dimensions shown subject to change without notice.

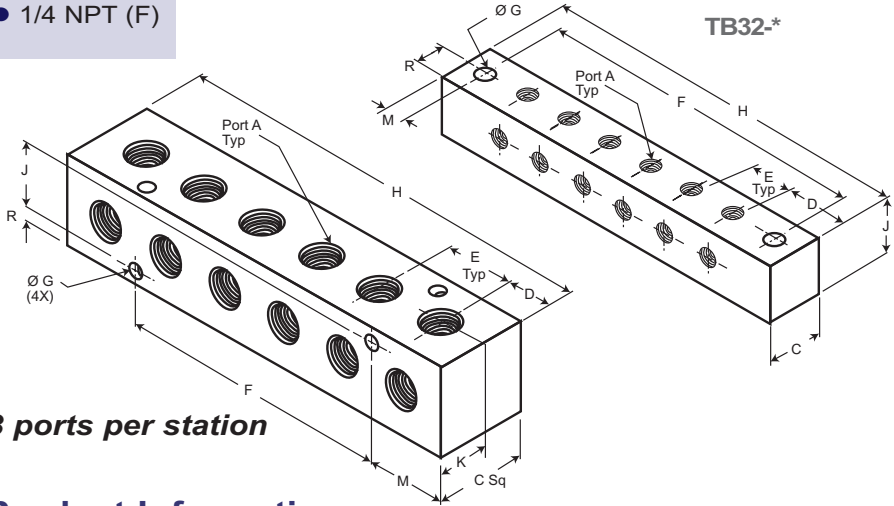


- Tee configuration
- Three available port options 10-32 (F), 1/8 NPT (F), 1/4 NPT (F)
- 2 to 10 stations
- Mounting versatility
- Aluminum with black anodizing for corrosion resistance and appearance

Terminal Blocks

Port Options

- 10-32 UNF(F)
- 1/8 NPT (F)
- 1/4 NPT (F)



Product Information

Part Number	No. Stations	A	C	D	E	F	G	H	J	K	M	R
10-32 UNF												
TB32-4	4	10-32	.62	.75	.50	2.50	.22	3.00	.62	-	.25	.31
TB32-6	6	10-32	.62	.75	.50	3.50	.22	4.00	.62	-	.25	.31
TB32-8	8	10-32	.62	.75	.50	4.50	.22	5.00	.62	-	.25	.31
TB32-10	10	10-32	.62	.75	.50	5.50	.22	6.00	.62	-	.25	.31
NPT												
TB10-125-2	2	1/8	1.00	.50	.75	-	.17	1.75	.70	.50	.87	.15
TB10-125-4	4	1/8	1.00	.50	.75	1.50	.17	3.25	.70	.50	.87	.15
TB10-125-6	6	1/8	1.00	.50	.75	3.00	.17	4.75	.70	.50	.87	.15
TB10-125-8	8	1/8	1.00	.50	.75	4.50	.17	6.25	.70	.50	.87	.15
TB10-125-10	10	1/8	1.00	.50	.75	6.00	.17	7.75	.70	.50	.87	.15
1/4 NPT												
TB20-250-2	2	1/4	1.25	.62	.87	-	.20	2.12	.89	.62	1.06	.18
TB20-250-4	4	1/4	1.25	.62	.87	1.75	.20	3.87	.89	.62	1.06	.18
TB20-250-6	6	1/4	1.25	.62	.87	3.50	.20	5.62	.89	.62	1.06	.18
TB20-250-8	8	1/4	1.25	.62	.87	5.25	.20	7.37	.89	.62	1.06	.18
TB20-250-10	10	1/4	1.25	.62	.87	7.00	.20	9.12	.89	.62	1.06	.18

● Measurements in inches

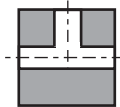
● When design makes a dimension critical- contact factory for confirmation. All dimensions shown subject to change without notice.

Port Configuration

Cross Section

Part Number

TB*-*



Bookmark
pneumadyne.com
 for standard and new
 product information and
 useful links