

Olympian Plus Micro-Fog and Oil-Fog Lubricators 1/4", 3/8", 1/2", 3/4" Port Sizes

- Olympian Plus plug in design
- Constant oil density output with varying flow
- Easy fill with quick release bayonet bowl
- High visibility prismatic sight glass

Use Micro-Fog models in applications with one or more points of lubrication.

Use Oil-Fog models to lubricate a single tool, cylinder or other air driven device.



Ordering Information. Models listed include PTF threads and 7 fluid ounce (0.2 liter) metal reservoir with drain.

Type	Port Size	Model	Weight lb (kg)
Micro-Fog	1/4"	L64M-2AP-QDN	3.13 (1.42)
	3/8"	L64M-3AP-QDN	3.09 (1.40)
	1/2"	L64M-4AP-QDN	3.02 (1.37)
	3/4"	L64M-6AP-QDN	3.81 (1.73)

Alternative Models

L 6 4 ★ - ★ ★ P - ★ ★ ★

Type	Substitute
Oil-Fog	C
Micro-Fog	M

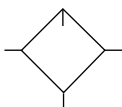
Port Size	Substitute
1/4"	2
3/8"	3
1/2"	4
3/4"	6
No yoke	N

Threads	Substitute
PTF	A
ISO Rc taper	B
ISO G parallel	G
No yoke	N

Options	Substitute
None	N
Quick fill device	Q

Bowl	Substitute
7 oz. Metal with liquid level indicator	D
7 oz. Transparent with guard	P
1 qt. metal with pyrex liquid level indicator	A

Drain	Substitute
Closed bottom bowl	E
Manual 1/4 turn	Q
Remote fill device Use only with 7 oz. (0.2 liter) bowl.	R

ISO Symbol


See Section ALE-25 for Accessories



Technical Data

Fluid: Compressed air

Maximum pressure:

Guarded transparent bowl: 150 psig (10 bar)

Metal bowl: 250 psig (17 bar)

Operating temperature*

Guarded transparent bowl: 0° to 125°F (-20° to 50°C)

Metal bowl: 0° to 175°F (-20° to 80°C)

* Air supply must be dry enough to avoid ice formation at temperatures below 35°F (2°C).

Start point (i.e. minimum flow required for lubricator operation) at 90 psig (6.3 bar) inlet pressure

Micro-Fog: 3.2 scfm (1.5 dm³/s)

Oil-Fog: 3.2 scfm (1.5 dm³/s)

Typical flow at 90 psig (6.3 bar) inlet pressure and 7 psig (0.5 bar) pressure drop: 153 scfm (72 dm³/s)

Nominal bowl capacity

Transparent bowl without guard: 7 fluid ounce (0.2 liter)

Metal bowl: 7 fluid ounce (0.2 liter) standard, 1 quart US (1 liter) optional

Manual drain connection: Will fit 1/8-27 and 1/8-28 pipe thread

Recommended lubricants: See Section ALE-29.

Materials

Body: Zinc

Yoke: Zinc

Metal bowl: Aluminium

Standard metal bowl prismatic liquid level indicator lens: Grilamid

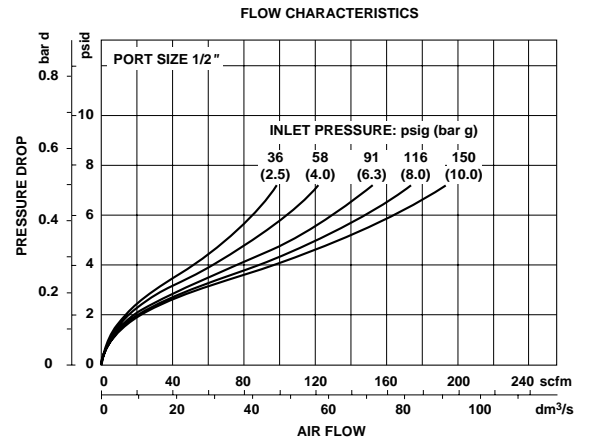
Optional metal bowl sight glass [standard on 1 quart (1 liter bowl)]: Pyrex

Optional transparent bowl: Polycarbonate

Sight-feed dome: Polycarbonate

Elastomeric materials: Synthetic rubber

Typical Performance Characteristics

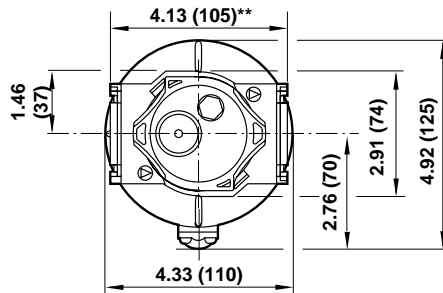


Service Kits

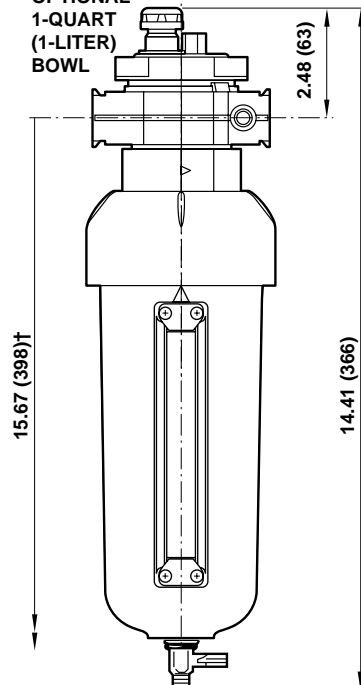
Item	Type	Part Number
Service kit	All models	4382-200
Replacement sight glass 7 fluid oz. (0.2 liter bowl)	Prismatic (standard)	4380-042
	Pyrex (optional)	4380-041
Replacement sight glass 1 quart US (1 liter)	Pyrex	2273-22

Service kit includes all seals, flow sensor, eyelet, dome screen, ball and spring.

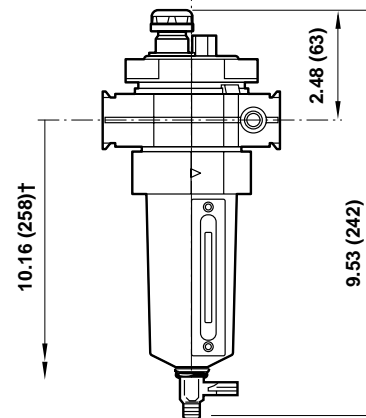
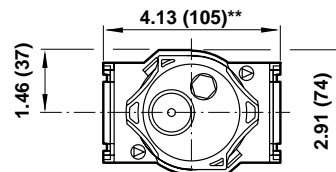
Optional 1 quart US (1 liter) bowl



OPTIONAL
1-QUART
(1-LITER)
BOWL



Standard 7 fluid ounce (0.2 liter) bowl



**6.18" (157) for models with 3/4" ports.

† Minimum clearance required to remove unit.