

**Olympian Plus Filter/Regulator**  
**3/4", 1", 1-1/4", 1-1/2" Port Sizes**

- Olympian Plus plug in system
- Effective liquid removal and positive solid particle filtration
- Large filter element area provides minimum pressure drop
- High flow unit with large valve and diaphragm
- Push to lock adjusting knob with tamper resistant option
- Excellent flow and regulation characteristics



**Ordering Information.** Models listed include a 1 quart w/long element, yoke with PTF threads, knob adjustment, automatic drain, 40 µm element, relieving diaphragm, and a 5 to 120 psig (0.4 to 8 bar) outlet pressure adjustment range\*. A gauge is not included.

Port Size	Model	Flow** scfm (dm³/s)	Weight lb (kg)
3/4	B68E-6AK-AU3-RLN	509 (240)	6.47 (2.94)
1	B68E-8AK-AU3-RLN	509 (240)	6.20 (2.82)
1-1/4	B68E-AAK-AU3-RLN	509 (240)	6.42 (2.92)
1-1/2	B68E-BAK-AU3-RLN	509 (240)	6.07 (2.76)

**Alternative Models**

B 6 8 E - ★ ★ ★ - ★ ★ ★ - ★ ★ ★

Bowl/Element Type	Substitute
1 quart (1 liter) bowl w/long element	E
1 pint (0.5 liter) bowl w/short element	G

Port Size	Substitute
3/4"	6
1"	8
1-1/4"	A
1-1/2"	B
No Yoke	N

Threads	Substitute
PTF	A
ISO Rc taper	B
ISO G parallel	G
No Yoke ( <i>N</i> in 5th position) Rc threaded gauge ports	N
No Yoke ( <i>N</i> in 5th position) PTF threaded gauge ports	A

Adjustment	Substitute
Knob	K
T-bar	T

Drain	Substitute
Automatic	A
No drain (Closed bowl)	E
Manual	M
Manual, 1/4 turn	Q

Gauge	Substitute
With	G
Without	N

Outlet Pressure Adjustment Range*	Substitute
0 to 60 psig(0 to 4 bar)	F
5 to 120 psig (0.4 to 8 bar)	L
10 to 250 psig (0.7 to 17 bar)	S***

Diaphragm	Substitute
Relieving	R
Non relieving	N

Element	Substitute
5 µm	1
25 µm	2
40 µm	3

Bowl	Substitute
1 quart (1 liter) without liquid level indicator	C††
1 pint (0.5 liter) without liquid level indicator	M†
1 pint (0.5 liter) with liquid level indicator	R†
1 quart (1 liter) with liquid level indicator	U††

\* Outlet pressure can be adjusted to pressures in excess of, and less than, those specified. Do not use these units to control pressures outside of the specified ranges.

\*\* Typical flow with 150 psig (10 bar) inlet pressure, 90 psig (6.3 bar) set pressure and a 15 psig (1 bar) droop from set.

\*\*\* Units with 250 psig (17 bar) adjustment range are available only with the T-bar adjustment; therefore substitute **T** at the 7th digit and **S** at the 12th position.

† Only available with B68G.

†† Only available with B68EE

# B68E/G Filter/Regulators

All Dimensions in Inches (mm)



## Technical Data

Fluid: Compressed air  
 Maximum pressure: 250 psig (17 bar)  
 Operating temperature\*: 0° to +175°F (-20° to +80°C)  
 \* Air supply must be dry enough to avoid ice formation at temperatures below +35°F (+2°C).  
 Particulate removal: 5, 25 or 40 µm  
 Air quality: Within ISO 8573-1, Class 3 and Class 5 (particulates)  
 Typical flow at 150 psig (10 bar) inlet pressure, 90 psig (6.3 bar) set pressure and a droop of 15 psig (1 bar) from set: 509 scfm (240 dm<sup>3</sup>/s)  
 1/4 turn manual drain connection: 1/8" pipe thread  
 Automatic drain connection: 1/8" pipe thread  
 Automatic drain operating conditions (float operated):  
 Bowl pressure required to close drain: Greater than 5 psig (0.3 bar)  
 Bowl pressure required to open drain: Less than 3 psig (0.2 bar)  
 Minimum air flow required to close drain: 2 scfm (1 dm<sup>3</sup>/s)  
 Manual operation: Depress pin inside drain outlet to drain bowl

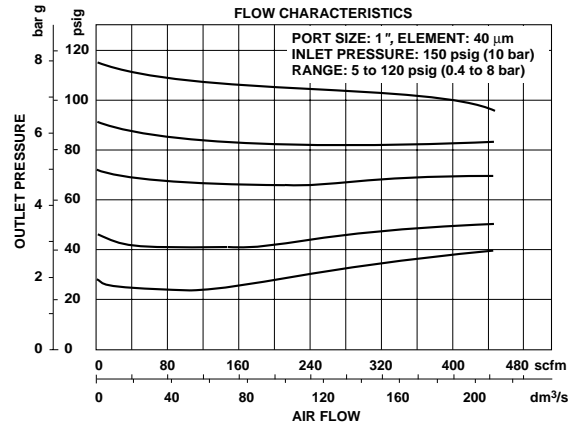
Nominal bowl size:  
 1 pint U.S. (0.5 liter)  
 1 quart U.S. (1 liter)

Gauge ports:  
 1/8 PTF with PTF yoke ports  
 Rc1/8 with ISO Rc yoke ports  
 Rc1/8 with ISO G yoke ports

Materials:  
 Body: Aluminum  
 Yoke: Aluminum  
 Bonnet: Aluminum  
 Adjusting knob: Acetal resin  
 Optional T-bar adjusting screw: Steel  
 Valve: Aluminum  
 Bowl: Aluminum  
 Sight glass: Pyrex  
 Element: Sintered bronze or polypropylene  
 Elastomers: Synthetic rubber

## See Section ALE-25 for Accessories

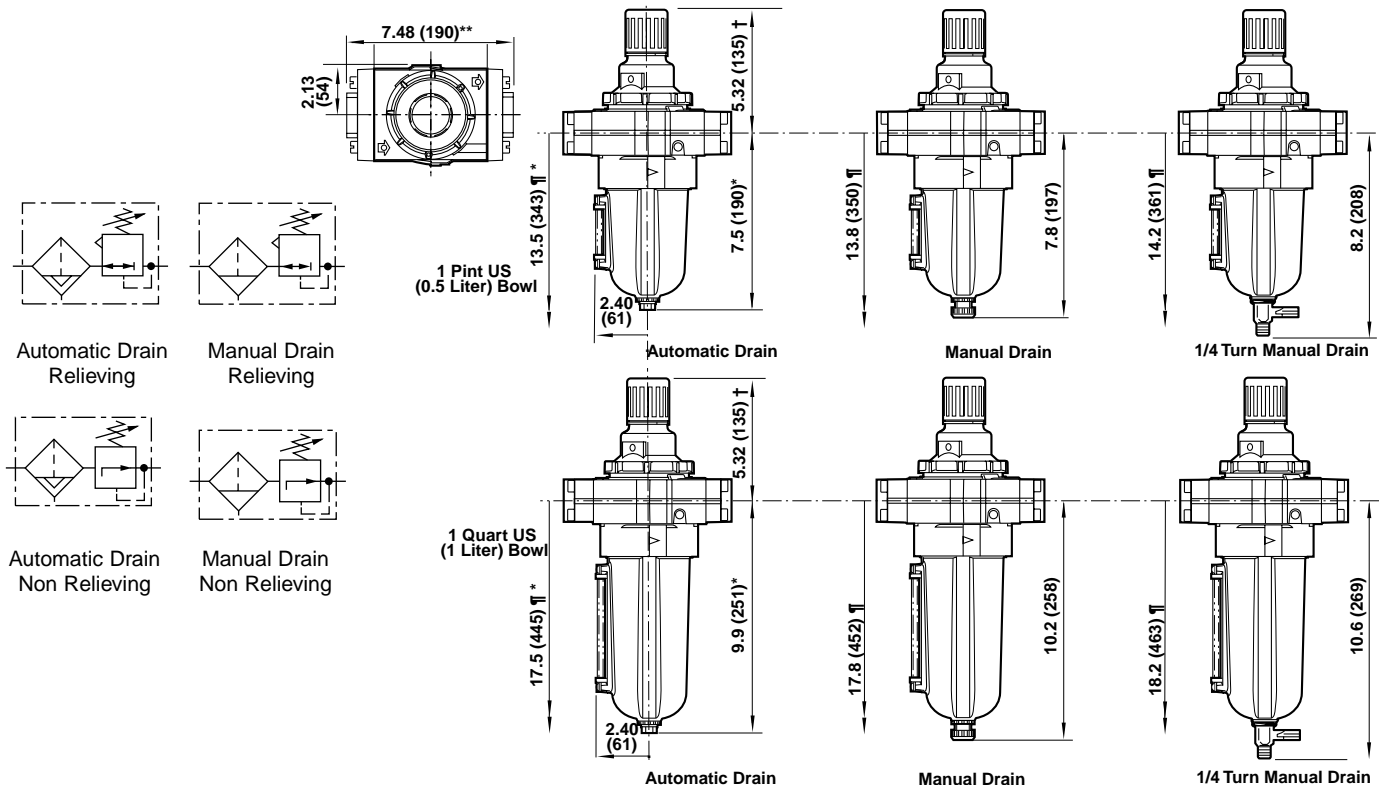
## Typical Performance Characteristics



## Service Kits

Item	Type	Part Number
Service kit	Relieving	4383-300
	Non relieving	4383-301
Replacement elements	5 µm (1 pint bowl)	5576-97
	25 µm (1 pint bowl)	5576-98
	40 µm (1 pint bowl)	5576-99
	5 µm (1 quart bowl)	5311-01
	25 µm (1 quart bowl)	5511-02
	40 µm (1 quart bowl)	5511-03
Replacement sight glass kit	1 pint bowl	4380-060
	1 quart bowl	4380-061
Replacement Drains	Automatic (G 1/8 outlet)	3000-97
	Automatic (1/8 NPT outlet)	3000-10
	Manual	684-84
	Manual quarter turn	619-50

Service kit includes, valve spring, slip ring, valve assembly, diaphragm assembly and necessary seals and 'o' rings.



† Add 1.46" (37 mm) for unit with T-bar adjustment.  
 \*\* For 1-1/4" and 1-1/2" ported yokes, add 0.39" (10 mm).

\* Dimension also applies to closed bottom bowl.  
 †† Minimum clearance required to remove bowl.