



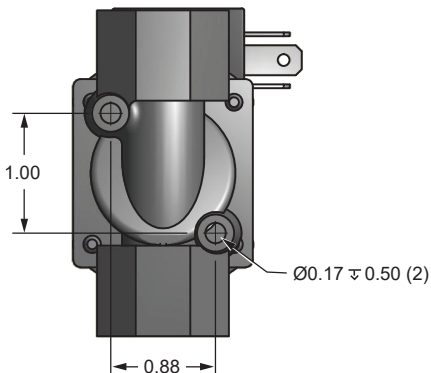
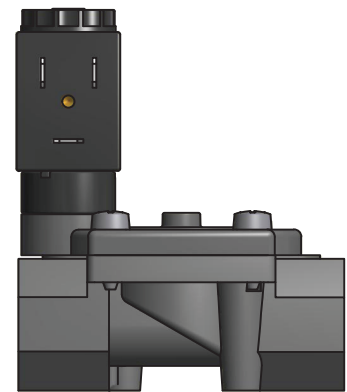
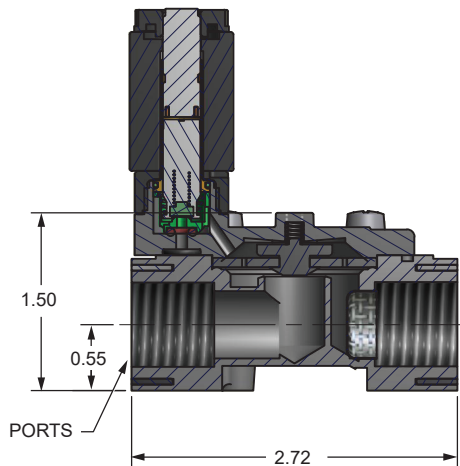
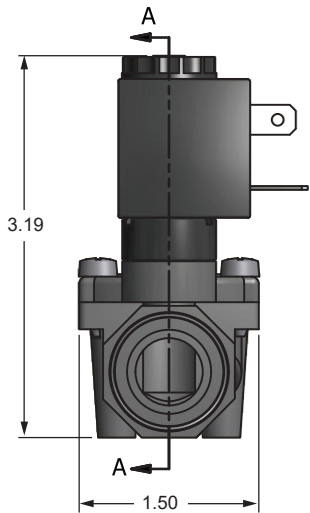
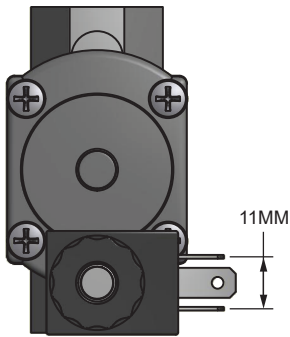
Series 3580

Diaphragm Process Composite Air-Sol 2-Way

The Spartan Scientific Series 3580 is an engineered composite 2-Way, 2-Position solenoid/air operated valve designed for the control of liquid media and inert gas. The valve exhibits a large 1/2" orifice and three port sizes standard, 1/4", 3/8" and 1/2" NPT. The Normally Open version of the 3580 has a unique operator that allows for function without the use of a bypass tube as with the 3510 and has a push non-locking and a turn-lock manual override. The valve's compact design utilizes the latest in material sciences with the use of composite materials in the valve body. The solenoid pilot is power saving low wattage, made of stainless steel working components and is miniaturized to fit in tight places. Standard elastomers available are FKM, NBR, and EPDM. The fully encapsulated coils are available in all standard voltages and with spaded, flying leads or with a connector attached. Typical applications are for installations where there is a need to control inert fluids and gases, condensate drainage, hot water plumbing and sprinkler systems.

Dimensional Data

ALL DIMENSIONS ARE IN INCHES UNLESS OTHERWISE NOTED





Series 3580

Diaphragm Process
Composite Air-Sol 2-Way

Technical Data

Function: 2-Way, 2-Position; Inlet Pilot Diaphragm;
Solenoid Operated; Normally Closed, or Normally Open

Port Size / Flow Factor: 1/4" NPT / 1.55 Cv
3/8" NPT / 1.95 Cv
1/2" NPT / 2.45 Cv

Orifice Sizes: 12.5mm / 2.45Cv

Pressure Range: 7 to 150 psi (depending on orifice size and function)

Temp. Range: Fluid Max.: +60°C
Dry Range: Ambient +10° to +50°C

Response Time: 20 to 80ms Complete Cycle

Media: Air, water

Environment Protection: IP65 (IEC 144), NEMA 4
Dust-tight and water resistant (with electrical connector)

Wetted Materials: Elastomers: EPDM, FKM, NBR
Operator: 300 and 400 Series Stainless Steel, or Brass
Orifice Basket: Acetal POM
Shading Ring: Copper (AC Only)
Springs: 300 Series Stainless Steel
Valve Body: Glass-filled Nylon (NSF Approved)

Mounting: Use #8 x 0.50" long self-tapping screws (2) (not provided)

Coil Data: Duty Cycle: Continuous (within specifications)
Encapsulation: Glass-Filled Nylon
Insulation: Class F
Power Rating: 6.5 Watt VDC, 8.5 VA VAC (others available on request)
Voltage: 6, 12, 24 VDC
24, 120, 220, 240 VAC 50/60 Hz
Voltage Tolerance: +/- 10% Nominal
Winding: Class H

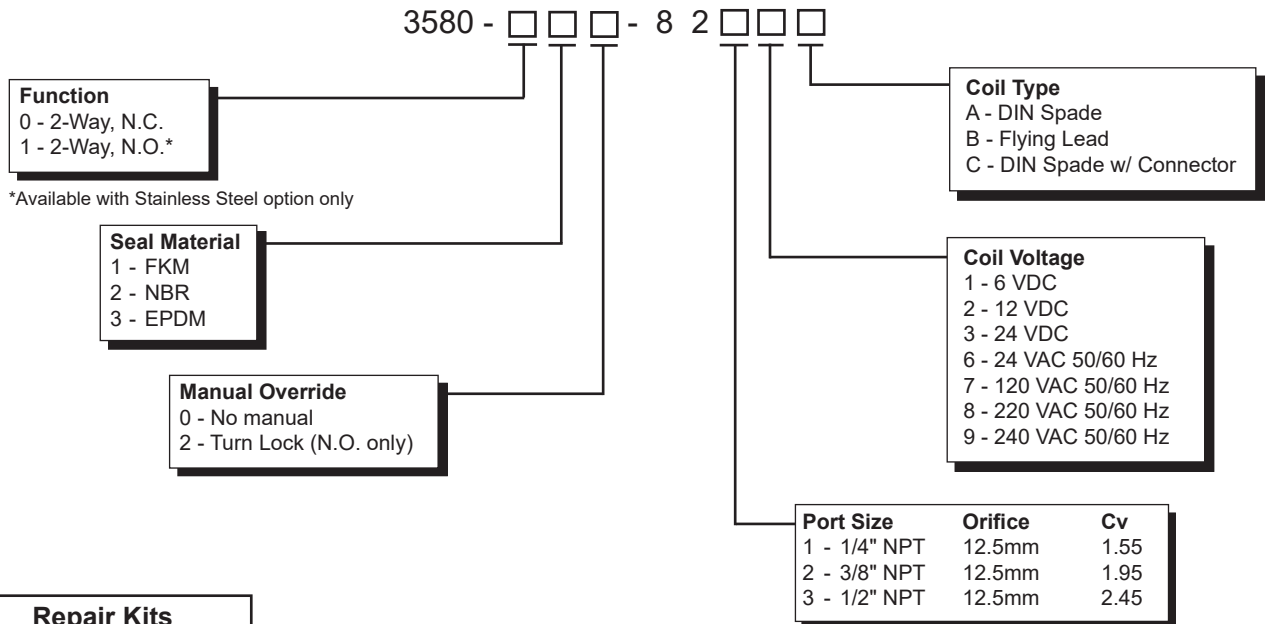
Connections: Spades: Accordance with DIN 43650
Form "A" / ISO 4400, EN175301-803:2006
Flying Lead: PVC 22 AWG, Multi-Strand Copper Wire, 300V, 12" minimum length

Packaged Weight: 0.48 lbs.



Consult factory for available versions recognized under the Component Program of Underwriters Laboratories, Inc.

How To Order



Repair Kits	
Specify Part Number	
FKM	3580-01-0001
NBR	3580-B1-0001
EPDM	3580-E1-0001

Order Example: 3580-010-8211A
2-Way, N.C., FKM, No Override,
1/4" NPT, 6 VDC, DIN Spade

DIAPHRAGM
PROCESS