



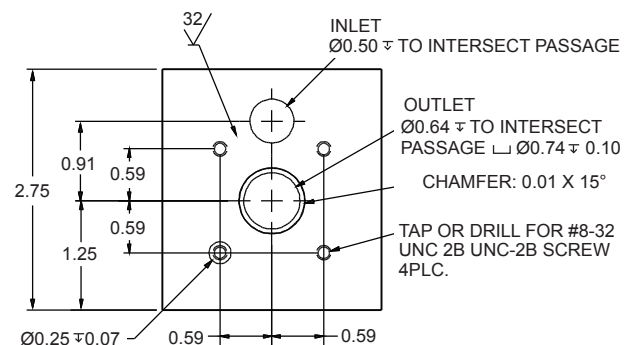
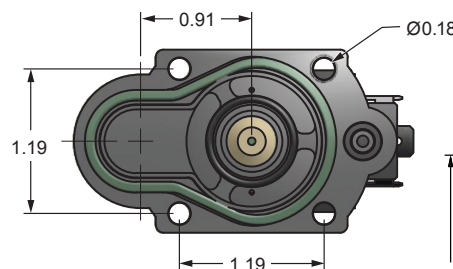
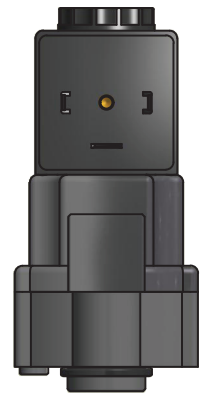
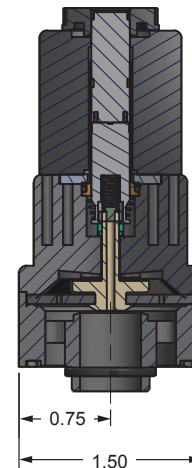
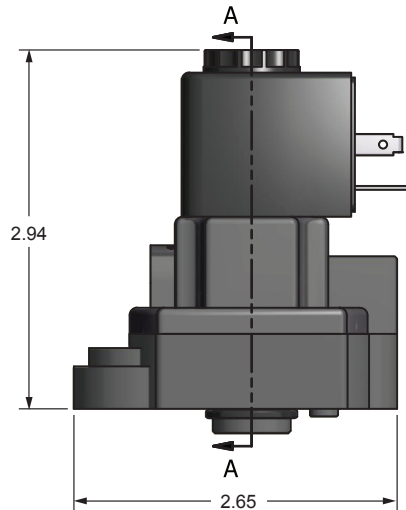
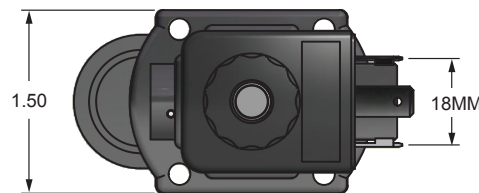
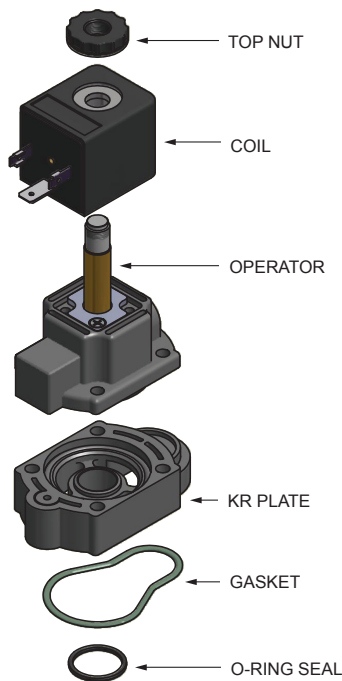
Series 35KR

Diaphragm Process 2-Way Manifold Mount

The Spartan Scientific Series 35KR 2-Way, 2-Position solenoid valve is a variation on the popular Series 3500 valves which feature miniaturized size vs. flow rate while allowing the user to manifold multiple outlets with one inlet. The 35KR design features the direct pilot design which controls 0 to 150 PSI in the all plastic version. The intermediate orifice plate design is the key to the 35KR in that it includes all the details of careful orifice design and creates a simple sealing pattern which can be mounted to integrated equipment and complex manifolds with simple mounting screws. The mounting style reduces leak points and numbers of connections. The 12mm orifice promotes full flow while the valve body, at only 1.5 inches wide, can be gang mounted to give impressively small envelope packages with many outputs. The simple mounting pattern is shown under dimensional data and can be machined into many varied manifold configurations.

Dimensional Data

ALL DIMENSIONS ARE IN INCHES UNLESS OTHERWISE NOTED



MOUNTING HOLE / PASSAGE PATTERN

DIAPHRAGM
PROCESS



Series 35KR

Diaphragm Process
2-Way Manifold Mount

Technical Data

Function: 2-Way, 2-Position; Inlet Pilot Diaphragm; Normally Closed, or Normally Open

Orifice Size / Flow Factor: 12.5mm / 2.45 Cv

Pressure Range: 0 to 150 psi (depending on orifice size and function)

Temp. Range: Fluid max.: +60°C
Dry Range: Ambient +10° to +50°C

Response Time: 20 to 80ms Complete Cycle

Media: Air, emulsion, inert gases, oil, water (contact factory for compatibilities)

Manual Override: Push non-locking

Environment Protection: IP65 (IEC 144), NEMA 4
Dust-tight and water resistant (with electrical connector)

Materials: Ø0.18" thru (4)

Wetted Materials: Elastomers: EPDM, FKM, or NBR
Operator: 300 and 400 Series Stainless Steel or Brass
Shading Ring: Copper
Springs: 300 Series Stainless Steel
Valve Body: Glass-Filled Nylon

Coil Data: Duty Cycle: Continuous (within specifications)
Encapsulation: Glass-Filled Nylon
Insulation: Class F
Power Rating: 10 Watt VDC, 8VA VAC (others available on request)
Voltage: 6, 12, 24 VDC
24, 120, 220, 240VAC 50/60 Hz
Voltage Tolerance: +/- 10% Nominal
Winding: Class H

Connections: Spades: Accordance with DIN 43650
Form "A" / ISO 4400, EN175301-803:2000
Flying Lead: PVC 22 AWG, Multi-Strand Copper Wire, 300V, 12" Length

Packaged Weight: 0.55 lbs.

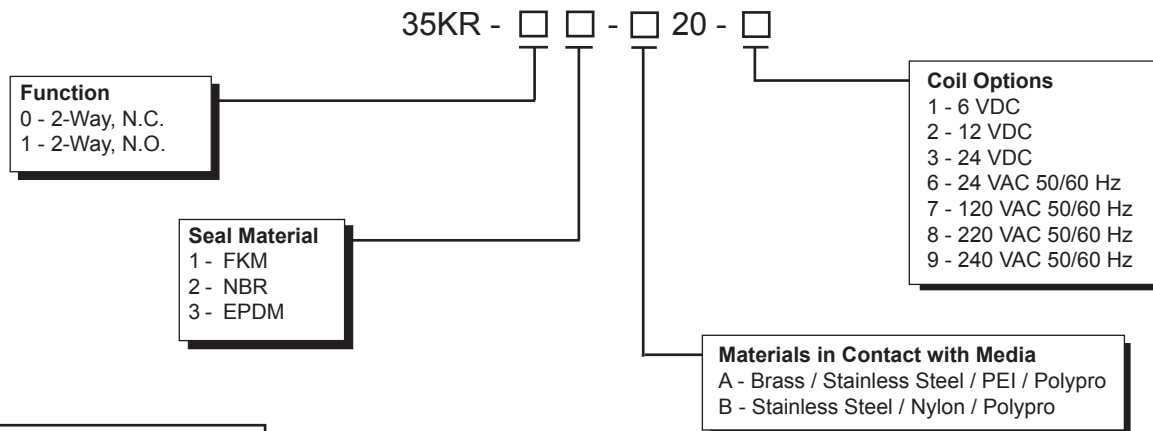
VOLTAGE

FUNCTION		AC	DC
	2/2 NC	150	150
	2/2 NO	150	120

MAX. PRESSURE RANGE (psi)

DIAPHRAGM
PROCESS

How To Order



Replacement Diaphragm Kits		
Kit includes: Diaphragm and Orifice insert		
Specify Part Number		
FKM	3500-01-0001	Normally Closed
NBR	3500-B1-0001	
EPDM	3500-E1-0001	
VKM	3500-01-0003	Normally Open
NBR	3500-B1-0003	
EPDM	3500-E1-0003	

Order Example: 35KR-00-A20-7
2-Way, N.C., FKM,
Brass, 120 VAC 50/60 Hz