

# 125A, 250A Valves

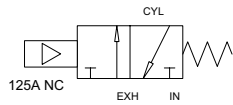
125A, 250A

**125 and 250 Series Air-Pilot Valves feature the classic Humphrey diaphragm-poppet principle. The unbalanced, air-spring return design assures bubble-tight sealing actuated, or unactuated. Compact design permits close proximity mounting to the work and fast cycling/quick exhaust.**

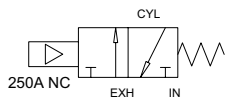
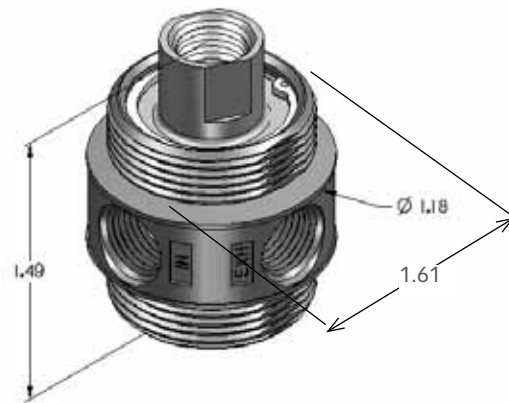
**These rugged 2- or 3- way valves are available in normally closed or normally open configurations, in standard or optional brass body construction (for alternate media).**

## Features and Benefits

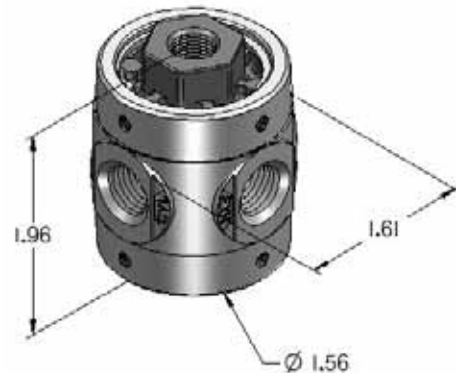
- "Bubble Tight" seal.
- Full ported 1/8" orifice, 1/8 PIPE ports, and 1/4" orifice, 1/4 PIPE ports.
- Fast cycling, high flow, quick exhaust.
- Reliable operation in lubricated or not lubricated systems. No sliding seals.
- Hard plumb mount, base mount, or panel mount (use panel mount nuts for 125 series or inverted mounting base for 250 series).
- Buna N seals standard. Fluorocarbon seals optional.



125A-NC



250A-NC



## SPECIFICATIONS


Design Principle:	Pressure Unbalanced – Air Return, Spring Assist
Porting Type:	2- or 3-Way
Port Size:	125: 1/8 PIPE; 250: 1/4 PIPE
Media:	Air, Inert Gas, Liquid (brass body)
Pressure Range:	0–125 PSIG
Temperature Range:	-20°F to 225°F
Flow @100 PSIG:	125: 18 CFM, 509 LPM (Cv=0.3) 250: 50 CFM, 1415 LPM (Cv=0.8)

## HOW TO OBTAIN SPECIFICATIONS FOR A PARTICULAR VALVE(S)

- ✓ Go directly to [www.humphrey-products.com/dynamic/products](http://www.humphrey-products.com/dynamic/products)
- ✓ Or, visit [www.humphrey-products.com](http://www.humphrey-products.com) and select "Online Product Guide."
- Once you have followed the steps to get the valve you need, select "Download Spec Sheet." Doing this will create a personalized PDF of the valve, which you may save to your computer and print at your convenience. These spec sheets are helpful when placing your order(s).

## HOW TO ORDER HUMPHREY VALVES AND ACCESSORIES

- ✓ Go directly to: [www.humphrey-products.com/?q=content/find-distributor](http://www.humphrey-products.com/?q=content/find-distributor)
- ✓ Or, visit [www.humphrey-products.com](http://www.humphrey-products.com), select "Find A Distributor," and input your information to locate a distributor nearest you.
- Or, call Customer Service at 1-800-477-8707 for the name and phone number of your local distributor.

 **HUMPHREY PRODUCTS ARE SOLD WORLD-WIDE THROUGH AUTHORIZED DISTRIBUTORS**