

TWIN TUBE & SIXTUBE SERIES CONNECTOR



Twin Tube Specifications

PRESSURE:

Vacuum to 120 psi, 8.3 bar per line

TEMPERATURE:

-40°F to 180°F (-40°C to 82°C)

MATERIALS:

Main components: Acetal, ABS

Valves: Acetal

Thumb latch: Stainless steel

External springs and pin: Stainless steel

O-rings: Buna-N

COLOR: Natural white with aqua latch

TUBING SIZES:

1/16" to 1/8" ID, 1.6mm to 3.2mm ID

Sixtube Specifications

PRESSURE:

Vacuum to 100 psi, 6.9 bar per line

TEMPERATURE:

Acetal fitting inserts: -40°F to 180°F (-40°C to 82°C)

Polypropylene fitting inserts: 32°F to 180°F (0°C to 82°C)

MATERIALS:

Main components: Acetal

Valves: Acetal

Fitting inserts: Acetal, polypropylene

Thumb latch: Acetal

Valve spring: 316 stainless steel

O-rings: Buna-N with acetal or EPDM with polypropylene

COLOR: Natural white

TUBING SIZES:

1/16" to 1/8" ID, 1.6mm to 3.2mm ID

NOTE: Caution must be observed when ordering Sixtube assemblies. Body and insert halves which both contain female or male fittings will not couple. Contact CPC for questions and ordering assistance.

The Twin Tube™ coupling provides one easy-to-use quick disconnect for two separate fluid lines. The non-valved Twin Tube maintains two individual flow paths in one coupling. Featuring the CPC thumb latch, the Twin Tube can disconnect two lines with the push of a button. The panel mount design keeps a low profile on the front of the equipment panel.

The Sixtube™ coupling provides one easy-to-use quick disconnect for up to six separate fluid lines. The Sixtube is available with valves on either side for maximum design flexibility. Featuring the CPC thumb latch, the Sixtube can disconnect up to six lines with the push of a button. The snap-in panel mount design keeps a low profile on the front of the equipment panel.

FEATURES

Two/six line connection

Separate flow paths

Sixtube insert is keyed to body

Free coupling rotation (Twin Tube)

CPC thumb latch

BENEFITS

Fast, efficient operation

Pressure and/or vacuum in one coupling

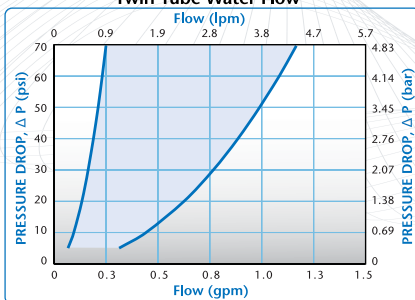
Ensures correct line orientation

Eliminates kinked tubing

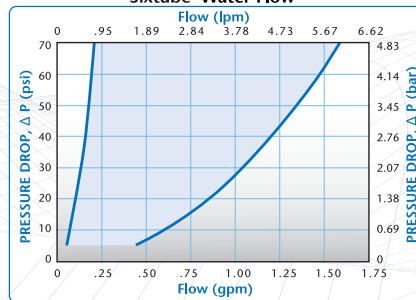
One-hand connection and disconnection

⚠ These graphs are intended to give you a general idea of the performance capabilities of each product line. The shaded area of each graph represents the operating range of the product family, i.e., upper and lower values are shown. Therefore, depending on the exact coupling configurations selected, you can reasonably expect values to fall within the shaded area.

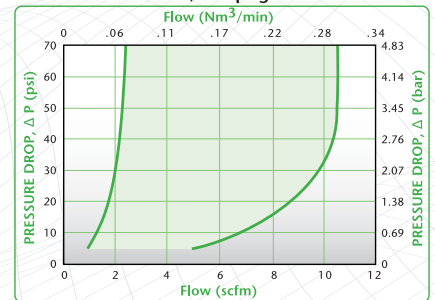
Twin Tube Water Flow



Sixtube Water Flow

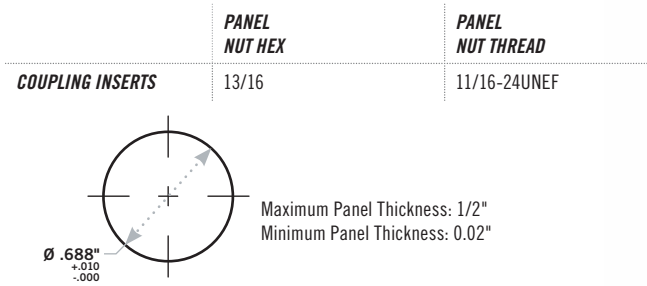


Sixtube Air Flow, 100 psig Inlet Pressure

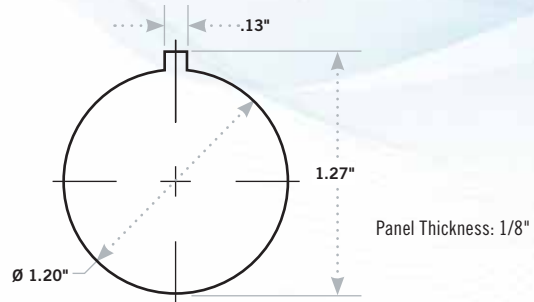


TWINTUBE & SIXTUBE DIMENSIONS

Twin Tube™ Body Panel Mount Dimensions



Sixtube™ Insert Panel Mount Dimensions



Twintube Coupling Bodies • ACETAL/ABS



TERMINATION
PANEL MOUNT
HOSE BARB

TUBING SIZE
1/16" ID
1/8" ID

METRIC EQ.
1.6mm ID
3.2mm ID

ACETAL
STRAIGHT THRU
PTC16010
PTC16020

ABS
STRAIGHT THRU
PTC1602096

Twintube Coupling Inserts • ACETAL/ABS



TERMINATION
IN-LINE
HOSE BARB

TUBING SIZE
1/16" ID
1/8" ID

METRIC EQ.
1.6mm ID
3.2mm ID

ACETAL
STRAIGHT THRU
PTC22010
PTC22020

ABS
STRAIGHT THRU
PTC2202096

Sixtube Coupling Bodies • ACETAL/POLYPROPYLENE



TERMINATION
WITH MALE FITTING
INSERTS

TUBING SIZE
1/16" ID
1/8" ID

METRIC EQ.
1.6mm ID
3.0mm ID
3.2mm ID

ACETAL
STRAIGHT THRU
SXM1701
SXM17M3
SXM1702

ACETAL
SHUTOFF

POLYPROPYLENE
STRAIGHT THRU
SXM170112

WITH FEMALE
FITTING BODIES

1/16" ID
1/8" ID

1.6mm ID
3.0mm ID
3.2mm ID

SXF1701
SXF17M3
SXF1702

SXFD1701
SXFD17M3
SXFD1702

SXF170112
SXF170212

WITHOUT FITTINGS

SX17

Sixtube Coupling Inserts • ACETAL/POLYPROPYLENE



TERMINATION
WITH MALE FITTING
INSERTS

TUBING SIZE
1/16" ID
1/8" ID

METRIC EQ.
1.6mm ID
3.0mm ID
3.2mm ID

ACETAL
STRAIGHT THRU
SXM4201
SXM42M3
SXM4202

ACETAL
SHUTOFF

POLYPROPYLENE
STRAIGHT THRU
SXM420112

WITH FEMALE
FITTING BODIES

1/16" ID
1/8" ID

1.6mm ID
3.0mm ID
3.2mm ID

SXF4201
SXF42M3
SXF4202

SXFD4201
SXFD42M3
SXFD4202

SXF420112
SXF420212

WITHOUT FITTINGS

SX42

Accessories

DESCRIPTION
SIXTUBE PRESSURE PLUGS

PART NO.
TMPMWH