

EXCELLENT RESOLUTION FOR SMALLEST VARIATIONS



COLOR AND CONTRAST PHOTOELECTRIC SENSORS


KEY ADVANTAGES

- ✓ Rugged housing, 40 mm x 50 mm x 15 mm
- ✓ Connector adjustable at 0°, 45° and 90°
- ✓ 5 switching tolerance levels

Color sensors

- ✓ 3 color teach channels with independent outputs
- ✓ High positioning tolerance
- ✓ High switching frequency: up to 4 kHz

Contrast sensors

- ✓ Detection of very small print marks thanks to a narrow, collimated light spot
- ✓ RGB emission technology with best emission color automatically selected
- ✓  **IO-Link**

RANGE OVERVIEW	Series	Color	Contrast
COLOR AND CONTRAST	4050 (40x50x15)	p. 289	p. 289



COLOR AND CONTRAST

4050

PHOTOELECTRIC SENSORS


ADVANTAGES

- ✓ Rugged housing, 40 mm x 50 mm x 15 mm
- ✓ Connector adjustable at 0°, 45° and 90°
- ✓ 5 switching tolerance levels

Color sensors

- ✓ 3 color teach channels with independent outputs
- ✓ High positioning tolerance
- ✓ High switching frequency: up to 4 kHz

Contrast sensors

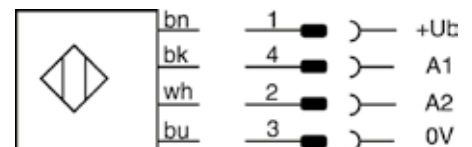
- ✓ Detection of very small print marks thanks to a narrow, collimated light spot
- ✓ RGB emission technology with best emission color automatically selected
- ✓ Excellent tolerance to target distance variations
- ✓ High switching frequency: up to 10 kHz
- ✓  **IO-Link**

WIRING DIAGRAMS

PNP or NPN, 3 outputs



PUSH-PULL, 1 output + teach or switching mode selector



OVERVIEW	4050 COLOR	4050 CONTRAST
Housing material	PBTP	PBTP
Degree of protection	IP 67	IP 67
Supply voltage range	10 ... 30 VDC	10 ... 30 VDC
Ambient temperature range	-5 ... +55°C / 23 ... +131°F	-5 ... +55°C / 23 ... +131°F
Output current	≤ 200 mA	≤ 100 mA
Switching frequency	4000 Hz	10,000 Hz
Compatible mounting bracket	See page 302	See page 302

4050 SERIES



4050

HOUSING SIZE MM	40 X 50 X 15	40 X 50 X 15
OPERATING PRINCIPLE	COLOR SENSOR (DIFFUSE)	CONTRAST SENSOR (DIFFUSE)
SENSING RANGE MM	40	12

Inductive

Photoelectric

Safety

RFID

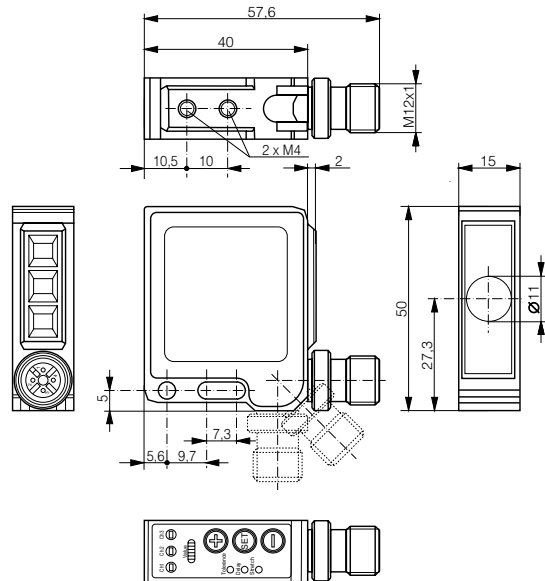
Connectivity

Accessories

Glossary

Index

PHOTOELECTRIC



DATA		IO-Link
Light source	LED white	LED red, green, blue (autoselect)
Light spot size (distance)	Ø 4 mm (35 mm)	1.5 x 3.5 mm (12 mm)
No-load supply current	≤ 35 mA	≤ 35 mA
Setup	Teach button	Teach button or Teach input or IO-Link
3 x PNP Light-ON	FTS-4155-303	
3 x NPN Light-ON	FTS-4155-301	
PUSH-PULL		KTS-4155-407
Other types available	Cable version	Cable version