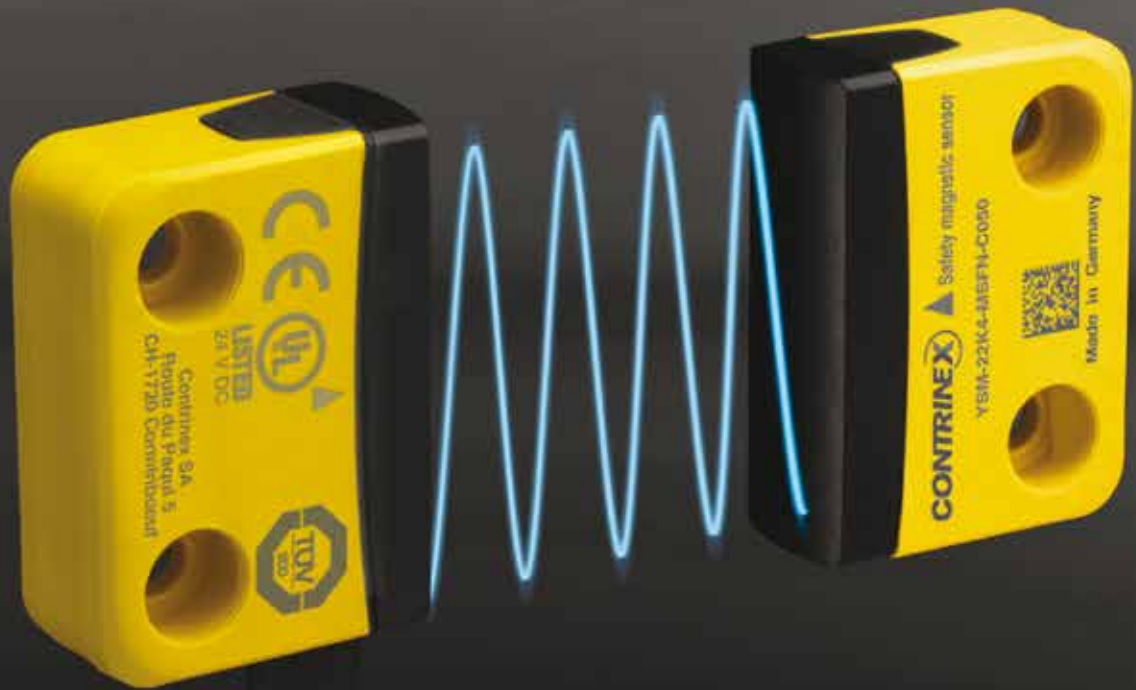


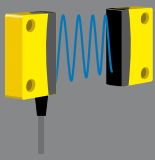
# SENSORS

## NON-CONTACT MAGNETICALLY CODED

### MAIN FEATURES

- ✓ Safety sensor with frontal or 90° actuation
- ✓ Magnetically coded, ISO 14119 type 4
- ✓ Up to category 4, PL e according to EN/ISO 13849-1
- ✓ Operating distance up to 18 mm
- ✓ PVC cable or M12 pigtail connection
- ✓ Sizes 36 mm x 26 mm x 13 mm and 88 mm x 25 mm x 13 mm
- ✓ Certified TÜV, CE and UL
- ✓ IP6K9K, Ecolab





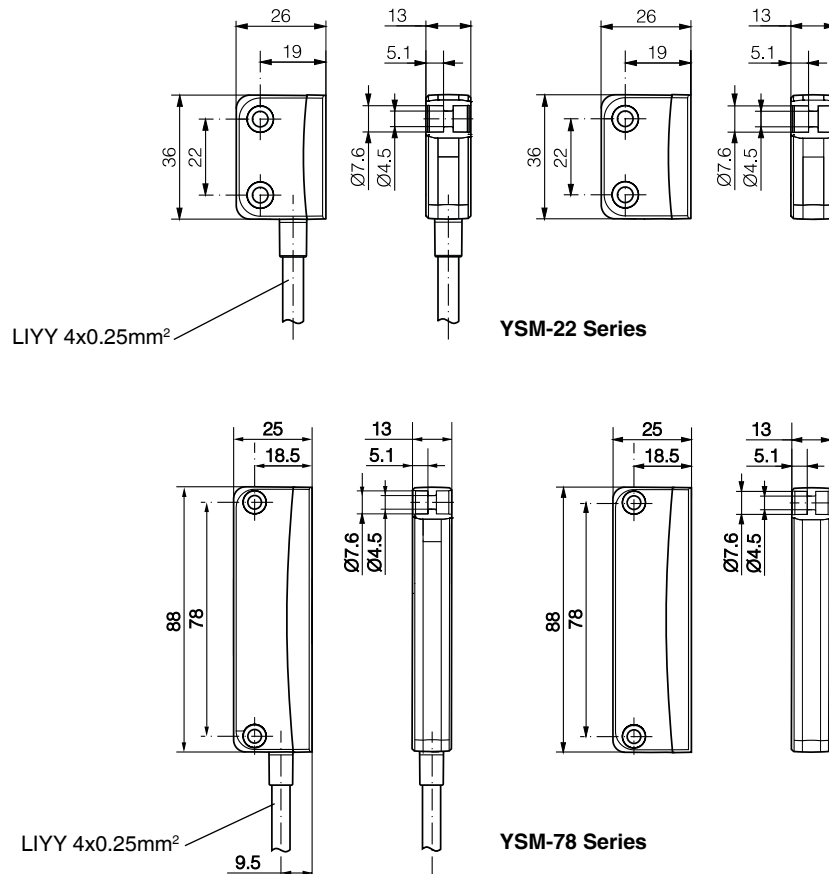
# MAGNETIC SENSORS

## TECHNICAL DATA

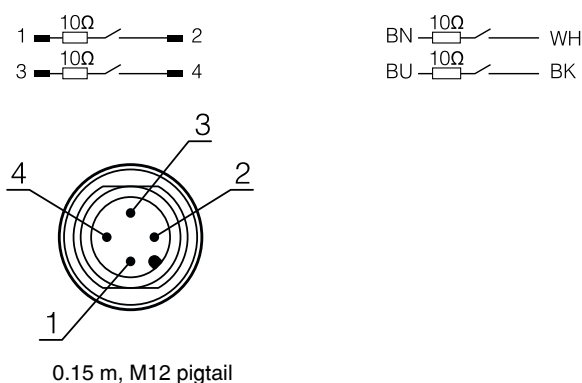
Supply voltage range	24 VDC $\pm$ 20 %
Load current	max 200 mA (-25°C...+80°C)
Safe switch on distance Sao	4 or 8 mm
Safe switch off distance Sar	10, 17 or 18 mm
Dimensions	36 mm x 26 mm x 13 mm (YSM-22 series) 88 mm x 25 mm x 13 mm (YSM-78 series)
Output	2x NO Reed contact
Minimum air gap Somin	0.5 mm
Ambient temperature range	-25 ... +80°C (-13 ... +176°F)
Storage temperature range	-25 ... +80°C (-13 ... +176°F)
Enclosure rating	IP 67 (EN 60529) and IP 6K9K (ISO 20653)
Housing material	PBT yellow, PC black
Connection	5 m PVC cable 4 x 0,25 mm <sup>2</sup> or 0.15 m PVC pigtail with M12 4-pins connector
Safety level*	Cat.4 / PL e (EN ISO 13849-1) SIL <sub>CL</sub> 3 (IEC/EN 62061) SIL 3 (IEC/EN 61508)
Content in each bag	Sensor and actuator (kit)

\* Short circuit recognition through differing voltages or pulsed signals required

## DIMENSIONS



## PIN ASSIGNMENT



ASSIGNMENT	FUNCTION	PINS/WIRES ON SENDER	
		M12	OPEN CABLE
Supply voltage	24 VDC	1	brown
Supply voltage	24 VDC	3	blue
Output	NO contact 1	2	white
Output	NO contact 2	4	black



## YSM-22 SERIES

Part reference	Dimensions [mm]	Sao	Sar	Actuation	Hysteresis	Connection
YSM-22K4-MSFN-C050	36 x 26 x 13	4 mm	10 mm	Frontal	1.5 mm	PVC, 5 m, 4 wire
YSM-22K4-MEFN-C050	36 x 26 x 13	8 mm	17 mm	Frontal	2.5 mm	PVC, 5 m, 4 wire
YSM-22K4-MSAN-C050	36 x 26 x 13	4 mm	10 mm	90°	1.5 mm	PVC, 5 m, 4 wire
YSM-22K4-MEAN-C050	36 x 26 x 13	8 mm	17 mm	90°	2.5 mm	PVC, 5 m, 4 wire
YSM-22K4-MSFN-P012	36 x 26 x 13	4 mm	10 mm	Frontal	1.5 mm	PVC, 0.15 m + M12 4-pin
YSM-22K4-MEFN-P012	36 x 26 x 13	8 mm	17 mm	Frontal	2.5 mm	PVC, 0.15 m + M12 4-pin
YSM-22K4-MSAN-P012	36 x 26 x 13	4 mm	10 mm	90°	1.5 mm	PVC, 0.15 m + M12 4-pin
YSM-22K4-MEAN-P012	36 x 26 x 13	8 mm	17 mm	90°	2.5 mm	PVC, 0.15 m + M12 4-pin

## YSM-78 SERIES

Part reference	Dimensions [mm]	Sao	Sar	Actuation	Hysteresis	Connection
YSM-78K4-MEFN-C050	88 x 25 x 13	8 mm	18 mm	Frontal	3.5 mm	PVC, 5 m, 4 wire
YSM-78K4-MEAN-C050	88 x 25 x 13	8 mm	18 mm	90°	3.5 mm	PVC, 5 m, 4 wire
YSM-78K4-MEFN-P012	88 x 25 x 13	8 mm	18 mm	Frontal	3.5 mm	PVC, 0.15 m + M12 4-pin
YSM-78K4-MEAN-P012	88 x 25 x 13	8 mm	18 mm	90°	3.5 mm	PVC, 0.15 m + M12 4-pin

