

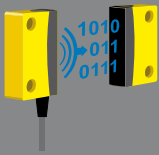
SENSORS

NON-CONTACT RFID CODED

MAIN FEATURES

- ✓ Safety sensor with RFID coding (random or teachable) ISO 14119 type 4
- ✓ Category 4, PL e according to EN/ISO 13849-1
- ✓ Operating distance up to 18 mm
- ✓ PVC cable or M12 pigtail connection
- ✓ Compact size 36 mm x 26 mm x 13 mm
- ✓ Cascadable up to 30 units
- ✓ EDM and diagnostic function
- ✓ Certified TÜV, CE and UL
- ✓ IP6K9K, Ecolab



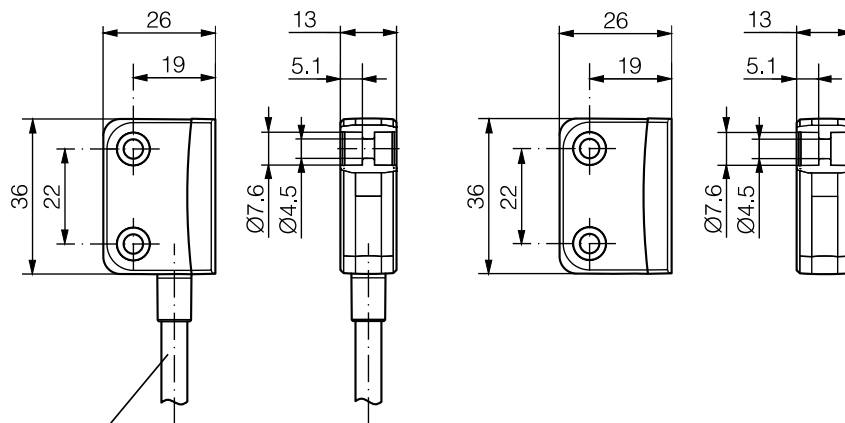


RFID SENSORS

TECHNICAL DATA

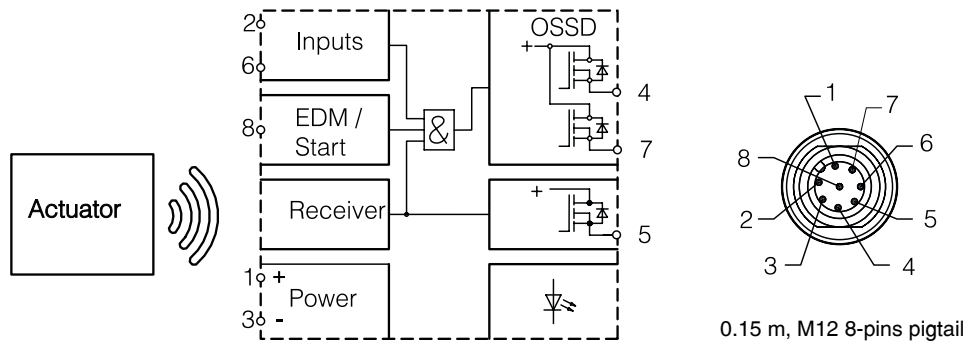
Supply voltage range	24 VDC \pm 10 %
Load current	max 400 mA (-25°C...+70°C)
Safe switch on distance Sao	8 mm
Safe switch off distance Sar	18 mm
Dimensions	36 mm x 26 mm x 13 mm
Output	2x OSSD
Ambient temperature range	-25 ... +70°C (-13 ... +158°F)
Storage temperature range	-25 ... +70°C (-13 ... +158°F)
Enclosure rating	IP 67 (EN 60529) and IP 6K9K (ISO 20653)
Housing material	PBT yellow, PC black
Connection	5 m PVC cable 8 x 0,25 mm ² or 0.15 m PVC pigtail with M12 8-pins connector
Safety level	Cat.4 / PL e (EN ISO 13849-1) SIL _{cl} 3 (IEC/EN 62061) SIL 3 (IEC/EN 61508)
Content in each bag	Sensor and actuator (kit)

DIMENSIONS



LIYY 8 x 0.25 mm²

PIN ASSIGNMENT



ASSIGNMENT	FUNCTION	PINS/WIRES ON SENDER	
		M12	OPEN CABLE
Supply voltage	24 VDC	1 (white)	brown
Input	Safety input 1	2 (brown)	white
Supply voltage	GND	3 (green)	blue
Output	OSSD 1	4 (yellow)	black
Output	Diagnostic	5 (grey)	grey
Input	Safety input 2	6 (pink)	pink
Output	OSSD 2	7 (blue)	violet
Input	EDM	8 (red)	orange



YSR-22 SERIES

Part reference	Dimensions [mm]	Sao	Sar	Actuation	Connection
YSR-22K4-RESE-C050	36 x 26 x 13	8 mm	18 mm	Random code	PVC, 5 m, 4 wire
YSR-22K4-TESE-C050	36 x 26 x 13	8 mm	18 mm	Teachable code	PVC, 5 m, 4 wire
YSR-22K4-RESE-P012	36 x 26 x 13	8 mm	18 mm	Random code	PVC, 0.15 m, M12 8-pins
YSR-22K4-TESE-P012	36 x 26 x 13	8 mm	18 mm	Teachable code	PVC, 0.15 m, M12 8-pins