

- > Port size: 3/8" ... 3/4" (ISO G/PTF)
- > Excelon® Plus design allows in-line installation or modular installation with other Excelon® Plus products
- > 5 or 40 micron particle and high efficiency water removal (> 98%)
- > Double safety lock bowl
- > Push to lock adjusting knob with built in tamper resistant feature
- > Metal bowl with prismatic liquid level indicator lens
- > Light weight Polycarbonate bowl
- > Easy to read flush mounted integrated pressure gauge as standard



### Technical features

#### Medium:

Compressed air only

#### Maximum supply pressure:

Polycarbonate bowl: 10 bar (145 psi)

Metal bowl: 20 bar (290 psi)

#### Outlet pressure ranges:

0,3 ... 10 bar (4 ... 145 psi),

0,3 ... 4 bar (4 ... 58 psi) optional,

0,7 ... 17 bar (2 ... 250 psi) optional

#### Filter element:

5 µm & 40 µm

#### Port size:

G3/8, G1/2, G3/4,

3/8 PTF, 1/2 PTF, 3/4 PTF

#### Gauge:

Integrated as standard

Gauge port 1/8 as option

#### Flow:

100 dm³/s

At port size: 1/2",

inlet pressure 10 bar (145 psi),

6,3 bar (91 psi) set pressure and a

Δp: 1 bar (14,5 psi) droop from set.

Filter element: 40 µm

#### Diaphragm Type:

Relieving

#### Drain:

Manual or automatic

#### Automatic drain operating conditions (float operated):

Bowl pressure required to close

drain: > 0,35 bar (5 psi)

Bowl pressure required to open

drain: ≤ 0,2 bar (2.9 psi)

Minimum air flow required to close

drain: 1 dm³/s (2 scfm)

#### Ambient/Media temperature:

Polycarbonate bowl:

-10 ... +60°C (+14 ... +140°F)

Metal bowl:

-20 ... +65°C (-4 ... +149°F)

Air supply must be dry enough

to avoid ice formation at

temperatures below +2°C (+35°F).

#### Materials:

Body: Die cast aluminium

Body covers: ABS

Bonnet: Acetal/ Aluminium

Valve: PP

Bowl: Transparent PC with PP

guard or die cast aluminium

Liquid level indicator lens

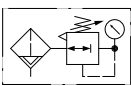
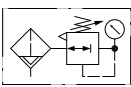
(metal bowl): PA

Filter element: sintered PP

Bowl 'o'- ring: Chloroprene

Elastomers: NBR

### Technical data B84G - standard models

Symbol	Port size	Drain	Pressure range (bar)	Filter element (µm)	Bowl	Weight (kg)	Model *1)
	G3/8	Auto	0,3 ... 10	40	Guarded polycarbonate	0,73	B84G-3GK-AP3-RMG
	G1/2	Auto	0,3 ... 10	40	Guarded polycarbonate	0,73	B84G-4GK-AP3-RMG
	G3/4	Auto	0,3 ... 10	40	Guarded polycarbonate	0,73	B84G-6GK-AP3-RMG
	G3/8	Auto	0,3 ... 10	40	Metal with level indicator	0,88	B84G-3GK-AD3-RMG
	G1/2	Auto	0,3 ... 10	40	Metal with level indicator	0,88	B84G-4GK-AD3-RMG
	G3/4	Auto	0,3 ... 10	40	Metal with level indicator	0,88	B84G-6GK-AD3-RMG
	G3/8	Manual	0,3 ... 10	40	Guarded polycarbonate	0,73	B84G-3GK-QP3-RMG
	G1/2	Manual	0,3 ... 10	40	Guarded polycarbonate	0,73	B84G-4GK-QP3-RMG
	G3/4	Manual	0,3 ... 10	40	Guarded polycarbonate	0,73	B84G-6GK-QP3-RMG
	G3/8	Manual	0,3 ... 10	40	Metal with level indicator	0,88	B84G-3GK-QD3-RMG
	G1/2	Manual	0,3 ... 10	40	Metal with level indicator	0,88	B84G-4GK-QD3-RMG
	G3/4	Manual	0,3 ... 10	40	Metal with level indicator	0,88	B84G-6GK-QD3-RMG

\*1) All models shown here are supplied with integrated gauge applicable for flow direction left to right.

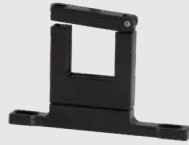
With flow direction right to left please use the online configurator [www.imi-precision.com/air-preparation-configurator](http://www.imi-precision.com/air-preparation-configurator) or contact IMI Norgren



**Accessories**
**Quikclamp®**

**Page 6**

840014-51KIT

**Quikclamp® with bracket assembled**

**Page 6**

840014-52KIT

**NECK mounting bracket & Panel nut**

**Page 6**

840068-51KIT

**Panel mounting nut**

**Page 6**

840048-89KIT

**Mounting bracket**

**Page 6**

840024-50KIT

**Integrated gauge 10 bar gauge**


840073-01KIT

**Integrated gauge 20 bar gauge**


840073-02KIT

**Gauge adaptor kit 1/8 PTF**


840100-01KIT

**Gauge adaptor kit R 1/8**


840100-02KIT

**Pressure sensing block 1/4 PTF**

**Page 7**

840016-50KIT

**Pressure sensing block G1/4**

**Page 7**

840016-51KIT

**Padlock**


840055-01KIT

**Lockout device**


840055-02KIT

**Full flow porting block 3/4 PTF**

**Page 7**

840028-50KIT

**Full flow porting block G3/4**

**Page 7**

840028-53KIT

**Pressure switch interface block (18D pressure switch)**

**Page 7**

0337717000000000

**Pneumatic pressure switch 18D (0,5 ... 8 bar) \*1)**

**Page 7**

0881300

**Digital pressure switch 51D (-1 ... 10 bar) \*2)**

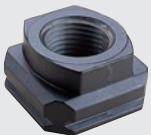
**Page 8**

0860810

\*1) Flanged version. For other pressure ranges, please see data sheet 5.11.001

\*2) For other pressure ranges, please see data sheet 5.11.385

**Gauges** (For regulators with gauge port instead of integrated port)

**Port Adaptors**

**Page 7**

3/8 PTF	840015-02KIT
1/2 PTF	840015-03KIT
3/4 PTF	840015-04KIT
G3/8	840015-10KIT
G1/2	840015-11KIT
G3/4	840015-12KIT

**Center back connection, white face**  
 (for full technical specification see datasheet 8.900.900)

**Pressure range**

(bar) *3)	(MPa)	(psi)	ø	Thread size	Model
0 ... 6	0 ... 0,6	0 ... 84	50 mm	R1/8	18-015-012
0 ... 10	0 ... 1	0 ... 145	50 mm	R1/8	18-015-013
0 ... 25	0 ... 2,5	0 ... 362	50 mm	R1/8	18-015-014

\*3) primary scale

**Maintenance/Service**

**Auto drain kit with metal Nut - Imperial**



6000-61KIT

**Auto drain kit with metal Nut - Metric**



6000-60KIT

**R84 / B84 Elastomer Kit**



FRLB84-KIT

**Filter cartridges 5 micron**



840038-50KIT

**Filter cartridges 40 micron**



840038-51KIT

**Spare parts**

**Filter Bowl (Guarded Poly bowl with auto drain 6 mm PIF)**



840025-51KIT

**Filter Bowl (Guarded Poly bowl with manual drain)**



840025-50KIT

**Filter Bowl (Metal with S/Glass & auto drain, 6 mm PIF)**



840003-51KIT

**Filter Bowl (Metal with S/Glass & manual drain)**



840003-50KIT

**Filter Bowl (Guarded Poly bowl with auto drain, 1/4 PIF)**



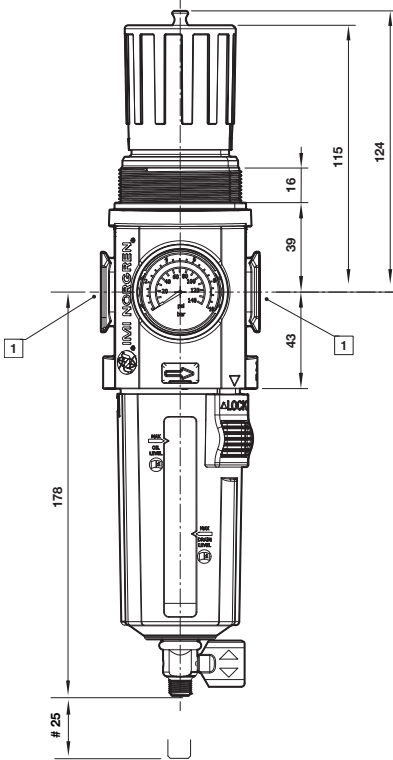
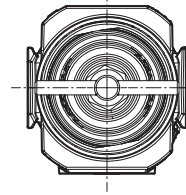
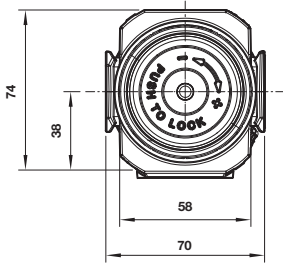
840025-53KIT

**Filter Bowl (Metal with S/Glass & auto drain, 1/4 PIF)**



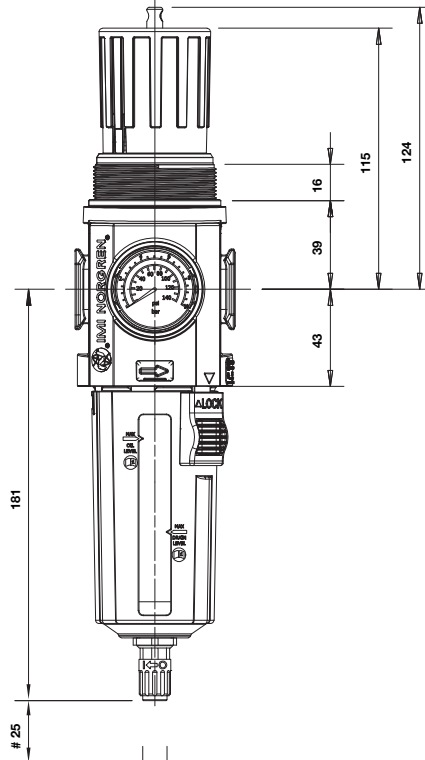
840003-56KIT

**Dimensions**

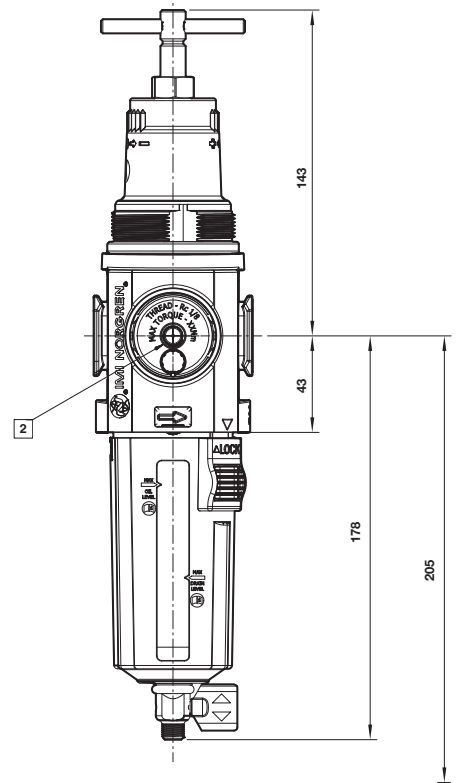
 Dimensions in mm  
 Projection/Third angle


1/4 Turn Manual Drain

With knob



Automatic Drain



1/4 Turn Manual Drain

With T-bar

# Minimum clearance for bowl removal

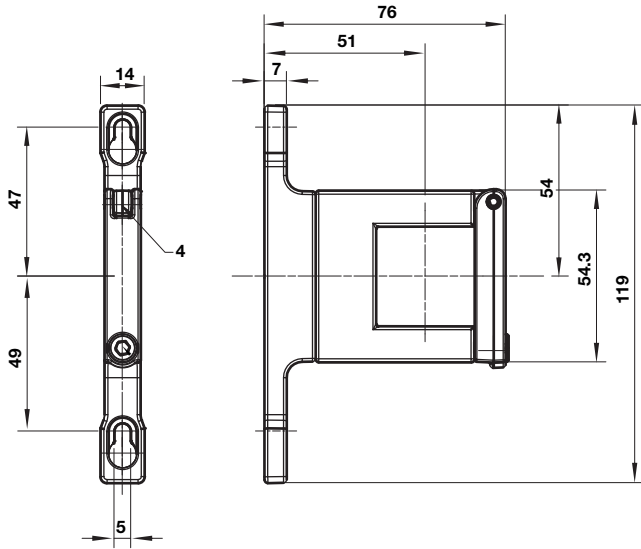
- 1 Main ports 3/8", 1/2" or 3/4" (ISO G/PTF)
- 2 Gauge port Rc 1/8 for ISO G and 1/8 PTF for PTF main ports

Accessories

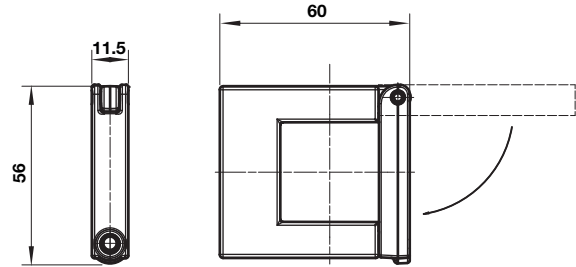
Dimensions in mm  
Projection/Third angle



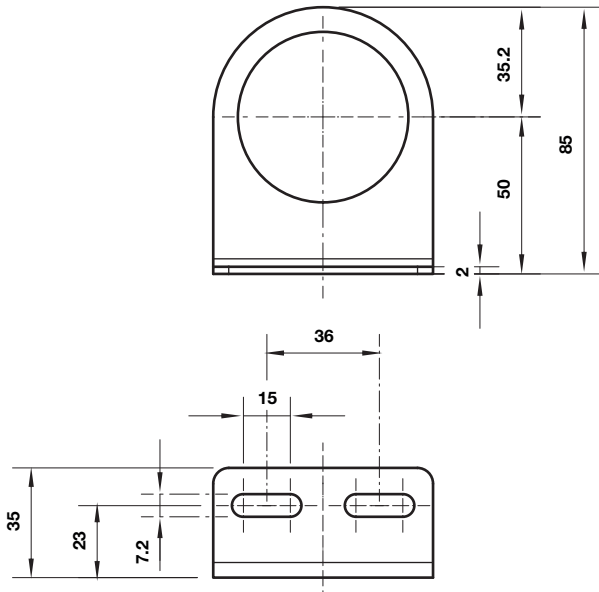
Quikclamp® with wall bracket



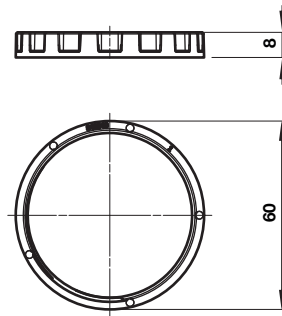
Quikclamp®



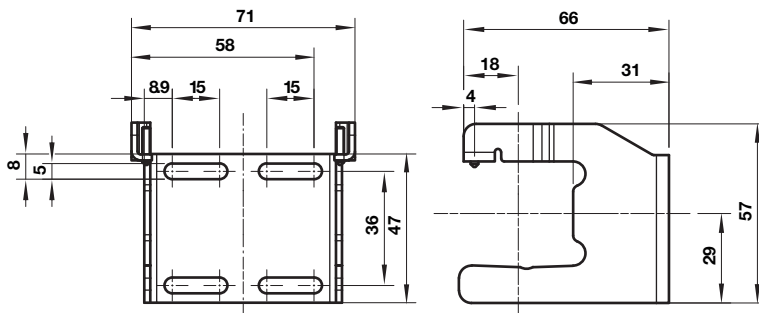
Neck mounting bracket



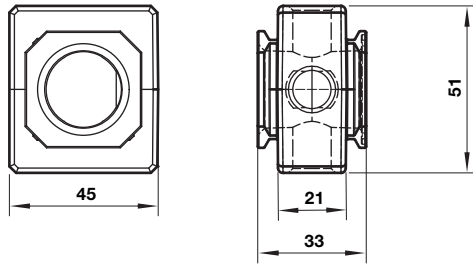
Panel mounting nut



Mounting bracket

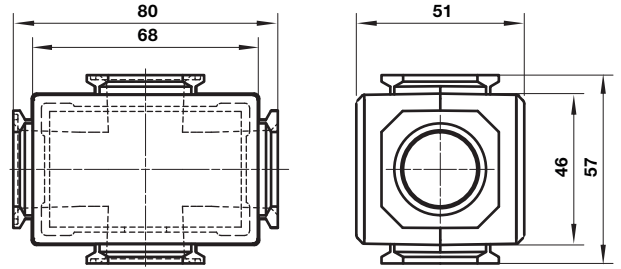


**Pressure sensing block**

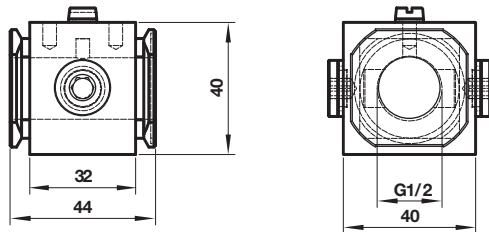


**Full flow porting block**

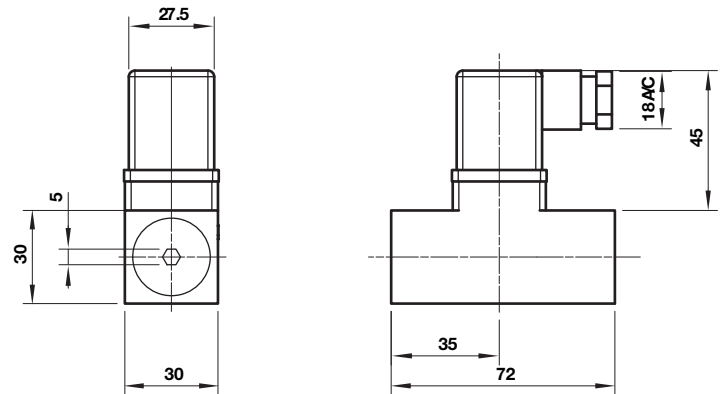
Dimensions in mm  
 Projection/Third angle



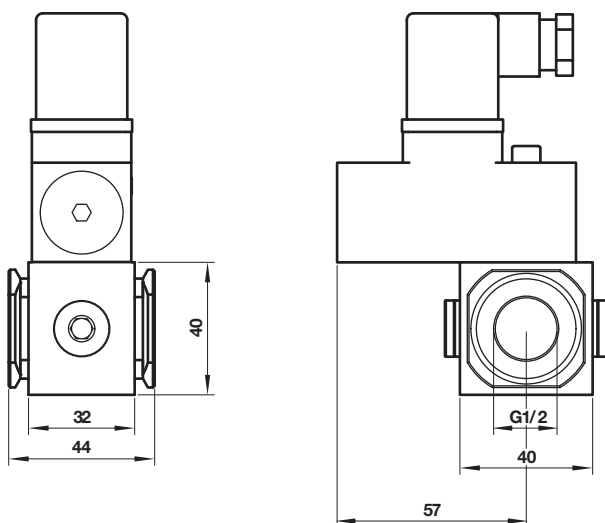
**Porting block for 18D pressure switch**



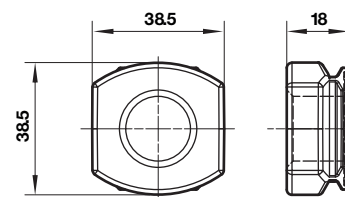
**18D Pressure switch**



**18D Porting block and 18D assembled**

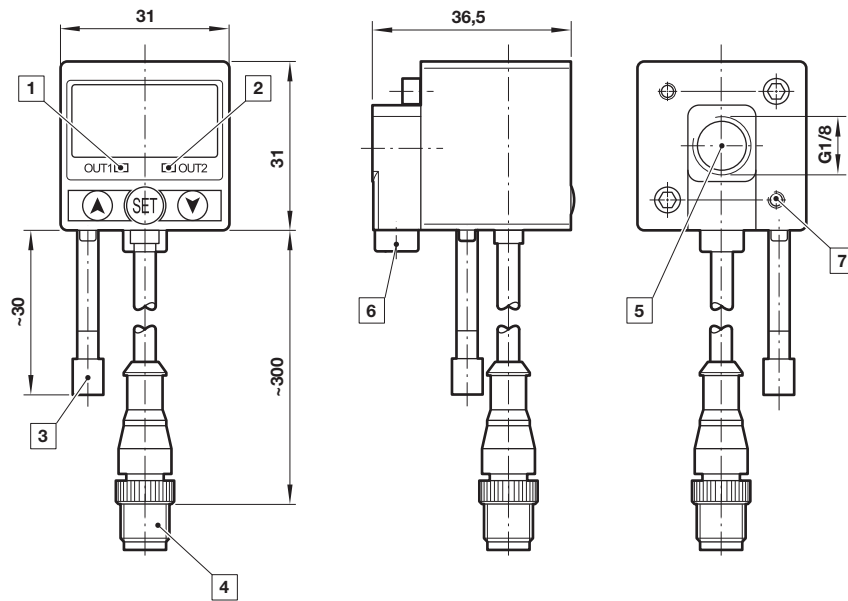


**Pipe adaptor**



51D Pressure switch - digital

Dimensions in mm  
Projection/Third angle



- 1 Switch OUT 1, green LED
- 2 Switch OUT 2, red LED
- 3 Dustproof protector
- 4 Connector M12 x 1
- 5 Inlet port
- 6 Alternative inlet port G1/8 plugged
- 7 Thread for mounting screw

**Warning**

These products are intended for use in industrial compressed air systems only. Do not use these products where pressures and temperatures can exceed those listed under »**Technical features/data**«.

Before using these products with fluids other than those specified, for non-industrial applications, life-support systems or other applications not within published specifications, consult IMI Precision Engineering, Norgren Ltd.

Through misuse, age, or malfunction, components used in fluid power systems can fail in various modes. The system designer is warned to consider the failure modes of all component parts used in fluid power systems and to provide adequate safeguards to prevent personal injury or damage to equipment in the event of such failure.

System designers must provide a warning to end users in the system instructional manual if protection against a failure mode cannot be adequately provided.

System designers and end users are cautioned to review specific warnings found in instruction sheets packed and shipped with these products.