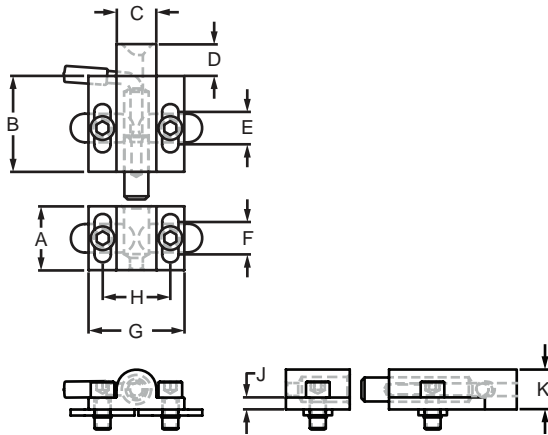


Part Description:

The 90 degree deadbolt latch is made of aluminum, making it strong and corrosion-resistant. The body supports a stainless steel bolt, spring and pin. The pin handle is positioned at a 90 degree angle to prevent snagging. It has a positive spring-loaded deadbolt which makes it ideal for guarding and enclosure applications. The hardware to mount the latch to a T-slot is included.



Part No.	Series	Color	A	B	C	D	E	F	G	H	J	K	Weight
2107	10 15	Clear	1.000"	1.500"	.625"	.500"	.507"	.500"	1.500"	1.062"	.187"	.625"	.223 lb
2107-Black	10 15	Black	1.000"	1.500"	.625"	.500"	.507"	.500"	1.500"	1.062"	.187"	.625"	.223 lb
65-2107	25 30 40	Clear	25.40mm	38.10mm	15.88mm	12.70mm	12.88mm	12.70mm	38.10mm	26.97mm	4.75mm	15.88mm	.1004 kg
65-2107-Black	25 30 40	Black	25.40mm	38.10mm	15.88mm	12.70mm	12.88mm	12.70mm	38.10mm	26.97mm	4.75mm	15.88mm	.1004 kg
45-2107	45	Clear	38.00mm	38.10mm	15.88mm	12.70mm	12.88mm	25.40mm	38.10mm	26.97mm	4.75mm	15.88mm	.1209 kg
45-2107-Black	45	Black	38.00mm	38.10mm	15.88mm	12.70mm	12.88mm	25.40mm	38.10mm	26.97mm	4.75mm	15.88mm	.1209 kg

Material Specifications

Material	Alloy*	Finish	Process
Aluminum	6105-T5	Anodize	Milled

* Or comparable

Included Hardware (Mount to T-Slot)

Part No.	Series	Qty.	Description
3062	10 15 25 30 40	4	1/4-20 x 1/2" SHCS
3382		4	1/4-20 Slide-In Economy T-Nut
11-6514	45	4	M6 x 14mm SHCS
13129		4	M6 x 1.0 Drop-in T-Nut

