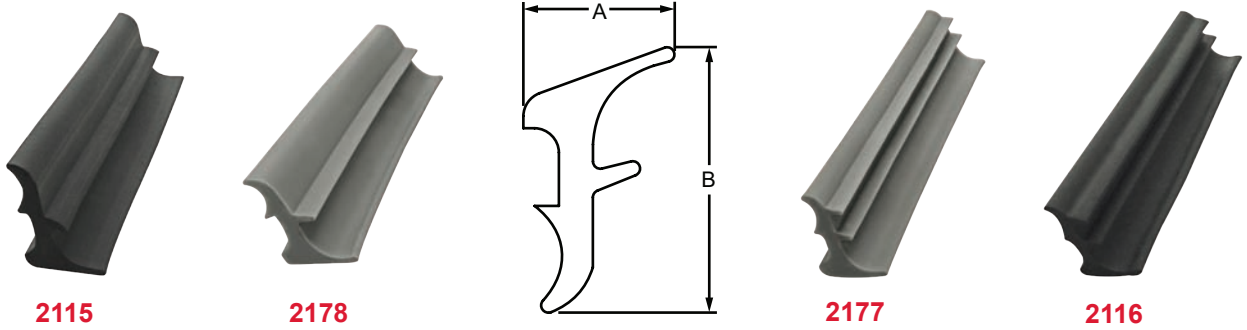


Economy Panel Gasket

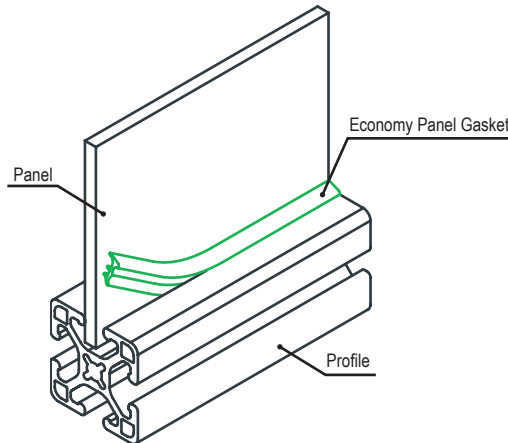
80/20 Inc.

Part Description:

Economy panel gasket is available in either a black thermoplastic elastomer or gray silicone rubber. It recesses in a T-slot to secure plastic panels, plates, and mesh and is easily inserted after a panel has been placed in the T-slot. The economy panel gasket can be ordered by the foot (meter) or in 150 foot (45.7 meter) rolls. **Tip:** Cut ends at a 45 degree angle for corner connections to avoid overlap or crashing.



Part No.	Series	Material	Finish	Process	Color	A	B	Length	Weight
2116	10	Thermoplastic Elastomer	Gloss	Extruded	Black	.208"	.362"	per foot	.011 lb / ft
2118	10	Thermoplastic Elastomer			Black	.208"	.362"	per 150 foot roll	2.377 lb
2177	10	Silicone Rubber			Gray	.208"	.362"	per foot	.016 lb / ft
2115	15	Thermoplastic Elastomer			Black	.311"	.547"	per foot	.022 lb / ft
2117	15	Thermoplastic Elastomer			Black	.311"	.547"	per 150 foot roll	4.027 lb
2178	15	Silicone Rubber			Gray	.311"	.547"	per foot	.028 lb / ft
14157	20	Thermoplastic Elastomer			Black	5.80mm	7.60mm	per meter	.0148 kg / m
25-2116	25	Thermoplastic Elastomer			Black	5.28mm	9.19mm	per meter	.0148 kg / m
25-2118	25	Thermoplastic Elastomer			Black	5.28mm	9.19mm	per 45.7 meter roll	1.0218 kg
25-2177	25	Silicone Rubber			Gray	5.28mm	9.19mm	per meter	.0247 kg / m
40-2115	30 40	Thermoplastic Elastomer			Black	7.90mm	13.89mm	per meter	.0370 kg / m
40-2117	30 40	Thermoplastic Elastomer			Black	7.90mm	13.89mm	per 45.7 meter roll	1.8985 kg
40-2178	40	Silicone Rubber			Gray	7.90mm	13.89mm	per meter	.0018 kg / m
14160	45	Thermoplastic Elastomer			Black	11.13mm	19.40mm	per meter	.0018 kg / m



PANELS & DOORS